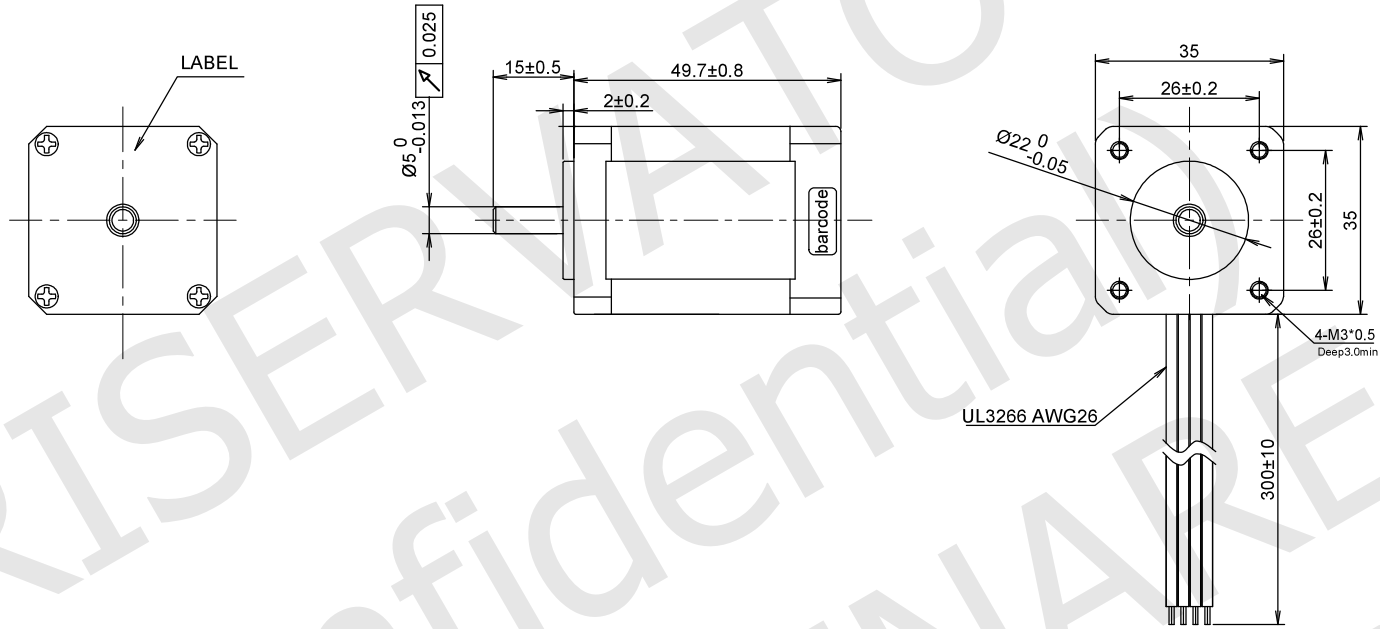
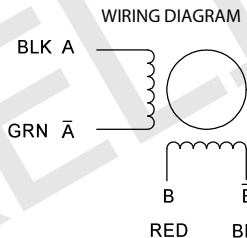


RoHS



MOTOR SPECIFICATIONS

STEP ANGLE	1.8° ±5%
RATED CURRENT	0.70 Amps/Ph
HOLDING TORQUE	0.27 Nm Min.
RESISTANCE	6.40 ohm ±10% at 25°C
INDUCTANCE	7.8 mH ±20% at 1kHz, 1Vrms
ROTOR INERTIA	55 g.cm ²
INSULATION CLASS	Class B, 130°C
DIELECTRIC STRENGTH	500 Vac 1 minute
IP CODE	IP40
PULL OUT TORQUE	---
BACK EMF	---
DETENT TORQUE	---
WEIGHT	450 g. approx
TEMPERATURE RISE	80K Max.
OPERATING TEMPERATURE	-20°C ~ +50°C
STORAGE TEMPERATURE	-20°C ~ +70°C
SHAFT AXIAL LOAD	5 N
SHAFT RADIAL LOAD	15 N (ON THE SHAFT END)



EXCITING SEQUENCE (TWO PHASES) VS. DIRECTION OF ROTATION

STEP	A	B	A-bar	B-bar
1	+	+	-	-
2	-	+	+	-
3	-	-	+	+
4	+	-	-	+

CLOCK WISE VIEW FROM MOUNTING SIDE

LABELS

YYWWXXXX (25 x 8)
Stator barcode label

Ever ELETTRONICA
the clever drive
High efficiency stepping motor
Bipolar Torque 0.27 Nm
1.8°/Step
Rated current 0.7 A/ph DC
MT14HE21007M401
Lot. #: www.everelettronica.it
Made in China
(25)

UNIT: mm UNLESS OTHERWISE SPECIFIED TOLERANCES DIMENSIONS : ±0.3 mm DEGREES : ±5% ORTHOGRAPHIC PROJECTION	DESIGN Stm01505-01a
	CHECK
	APPROVED
	DATE 29 / 08 / 2022

MT14HE21007M401
STEPPING MOTOR SPECIFICATION

Ever ELETTRONICA
the clever drive
www.everelettronica.it

REV	01a - First release with new drawing layout.