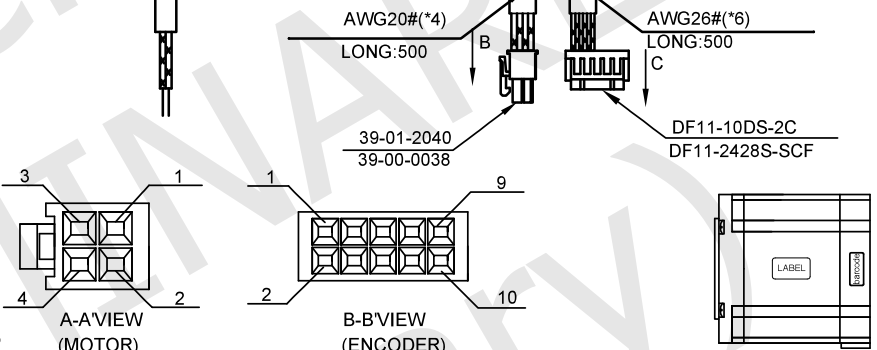
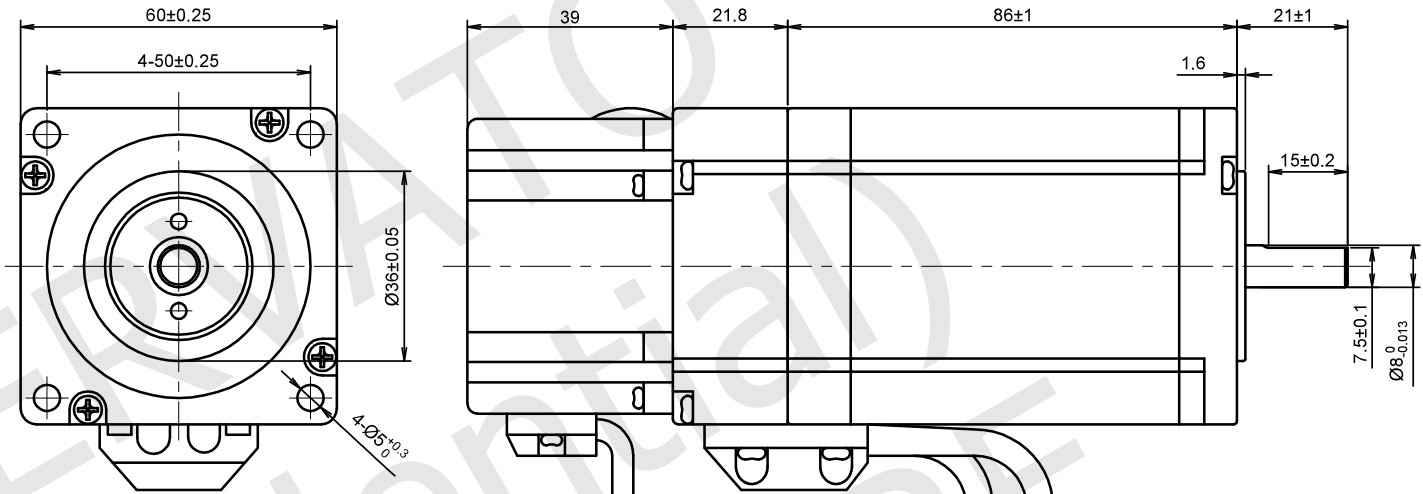


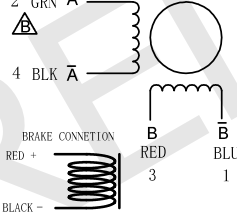
RoHS



NOTE: BLACK ENDBELLS

SPECIFICATIONS	
POWER SUPPLY	24.00 Vdc
BRAKING TORQUE	2.00 Nm
ENCODER SPECIFICATIONS	
ENCODER TYPE	Incremental
POWER SUPPLY	5.00 Vdc
RESOLUTION	1000 ppr
OUTPUT TYPE	Line driver
MOTOR SPECIFICATIONS	
STEP ANGLE	1.8° ±5%
RATED CURRENT	5.00 Amps/Ph
HOLDING TORQUE	3.00 Nm Min.
RESISTANCE	0.46 ohm ±0.1 at 25°C
INDUCTANCE	2.00 mH ±20% at 1kHz, 1 Vrms
ROTOR INERTIA	900 g.cm ²
INSULATION CLASS	Class B, 130°C
DIELECTRIC STRENGTH	500 Vac 1 minute
IP CODE	IP40
PULL OUT TORQUE	---
BACK EMF	---
DETENT TORQUE	---
WEIGHT	1500 g. approx
TEMPERATURE RISE	80K Max.
OPERATING TEMPERATURE	-20°C ~ +50°C
STORAGE TEMPERATURE	-20°C ~ +70°C
SHAFT AXIAL LOAD	15 N
SHAFT RADIAL LOAD	75 N (ON FRONT SHAFT END)

WIRING DIAGRAM



ENCODER CONNECTION	PIN NO.
BLK	GND
RED	+5V
BLU/WHI	A/
BLU	A
ORG/WHI	B/
ORG	B

EXCITING SEQUENCE(TWO PHASES) VS.DIRECTION OF ROTATION

STEP	A	B	A-bar	B-bar	
1	+	+	-	-	CCW
2	-	+	+	-	
3	-	-	+	+	
4	+	-	-	+	

CLOCK WISE VIEW FROM MOUNTING SIDE

LABELS

Code : MT24HE35050H403
Cust. P/N:
Ifmax: 5.00 Arms Vmax: 2.30 Vdc
L: 2.00 mH Rs: 0.46 ohm
Tmax: 130°C Lot #: Made in China
Connect to driver only, see manual for details.

YYWWXXXXX (25 x 8)
Stator barcode label

UNIT: mm
UNLESS OTHERWISE SPECIFIED TOLERANCES
DIMENSIONS : ±0.3 mm DEGREES : ±5%
ORTHOGRAPHIC PROJECTION

DESIGN	Stm02450-00b
CHECK	
APPROVED	
DATE	03 / 03 / 2022

MT24HE35050H403
STEPPING MOTOR SPECIFICATION

REV	DESCRIPTION
00b	First release.

DRAWING NOT TO SCALE