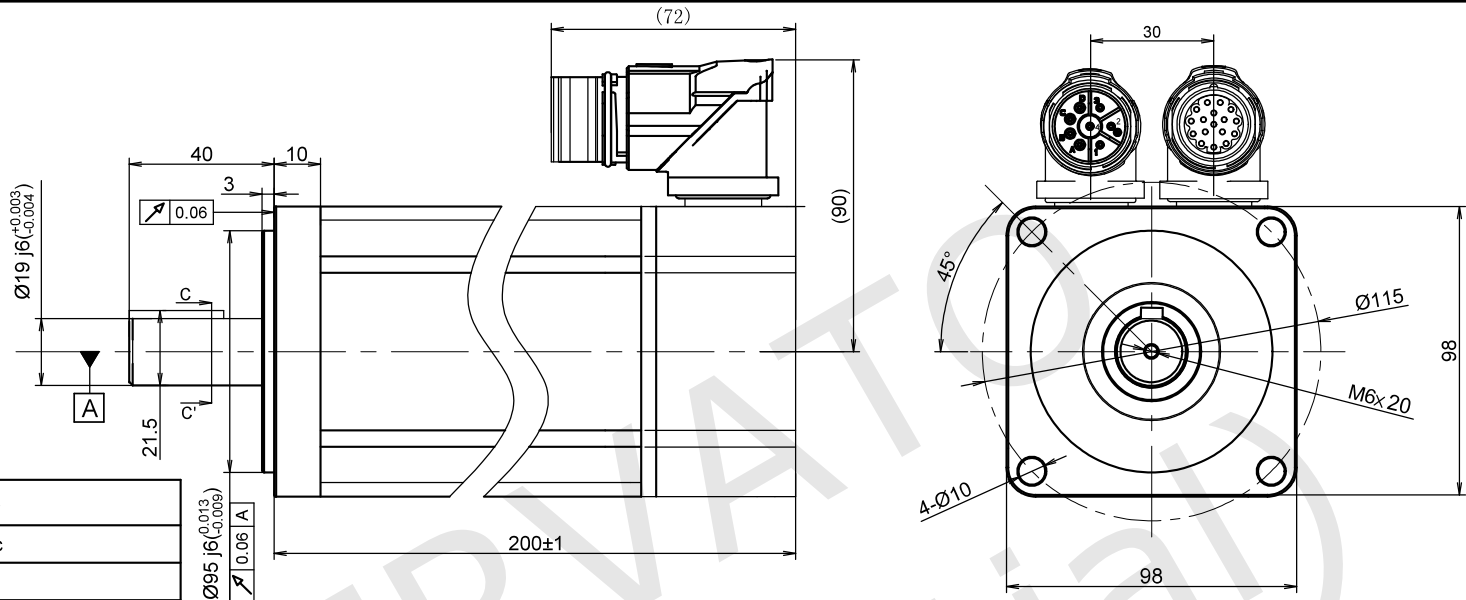


RoHS



**BRAKE SPECIFICATIONS**

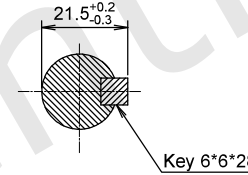
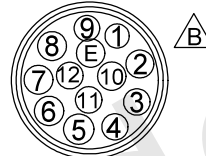
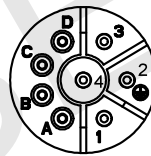
RATED VOLTAGE	24±10% Vdc
RATED POWER	16.4±7% W
HOLDING TORQUE	8.2 N.m

**ENCODER SPECIFICATIONS**

ENCODER TYPE	Absolute multiturn
POWER SUPPLY	5.00 Vdc
SINGLE TURN RESOLUTION	24 bits
MULTITURN RESOLUTION	12 bits
OUTPUT TYPE	BiSS- C

**MOTOR SPECIFICATIONS**

POLES	8
RATED VOLTAGE	200 ~ 250 Vac
RATED POWER	1100 W
RATED CURRENT	4.50 A
PEAK CURRENT	20.7 A
RATED TORQUE	3.50 Nm
PEAK TORQUE	16.00 Nm
RESISTANCE	1.93 ohm ±10% at 20°C
INDUCTANCE	10.1 mH ±20% at 20°C
BACK EMF CONSTANT	55 Vrms/Krpm at 20°C
TORQUE CONSTANT	0.78 Nm /A
RATED SPEED	3000 rpm ±10%
PEAK SPEED	--- rpm ±10%
INSULATION CLASS	Class F, 155°C
ROTOR INERTIA	2680 g.cm <sup>2</sup>
WEIGHT	5500 g. approx
IP CODE	IP65



Motor power line:  
M23 8PINS  
(MALE)

Motor signal line:  
M23 12PINS  
(MALE)

C-C' VIEW

**WIRING DIAGRAM**

Motor power line:

PIN NO.	A	B	C	D	1	2	3	4
Signal	Brake+	Brake-	---	---	U	PE	V	W

Motor signal line:

PIN NO.	1	2	3	4	5	6	7	8	9	10	11	12
Signal	5V	0V	DATA+	DATA-	CLOCK+	CLOCK-	SENSOR 5V	SENSOR 0V	---	---	---	---

UNIT: mm  
UNLESS OTHERWISE SPECIFIED TOLERANCES  
DIMENSIONS : ±0.3 mm DEGREES : ±5%  
ORTHOGRAPHIC PROJECTION

DESIGN	Stm02771-00c
CHECK	
APPROVED	Matteo C. -10 / 11 / 2023
DATE	06 / 11 / 2023

DRAWING NOT TO SCALE

REV

- 00a - First release.
- 00b - Change the electrical parameters.
- 00c - Add some electrical parameters.

**LABELS**

Code : BA39HA1102A0B0F  
Cust. P/N:  
Voltage: 230 Vac Power: 1100W  
Rated speed: 3000 rpm Lot #: Made in China  
Rated torque: 3.50 Nm  
Connect to driver only, see manual for details.

YYWWXXXXX (25 x 8)  
Stator barcode label

**BA39HA1102A0B0F**  
AC BRUSHLESS MOTOR SPECIFICATION



www.everelettronica.it