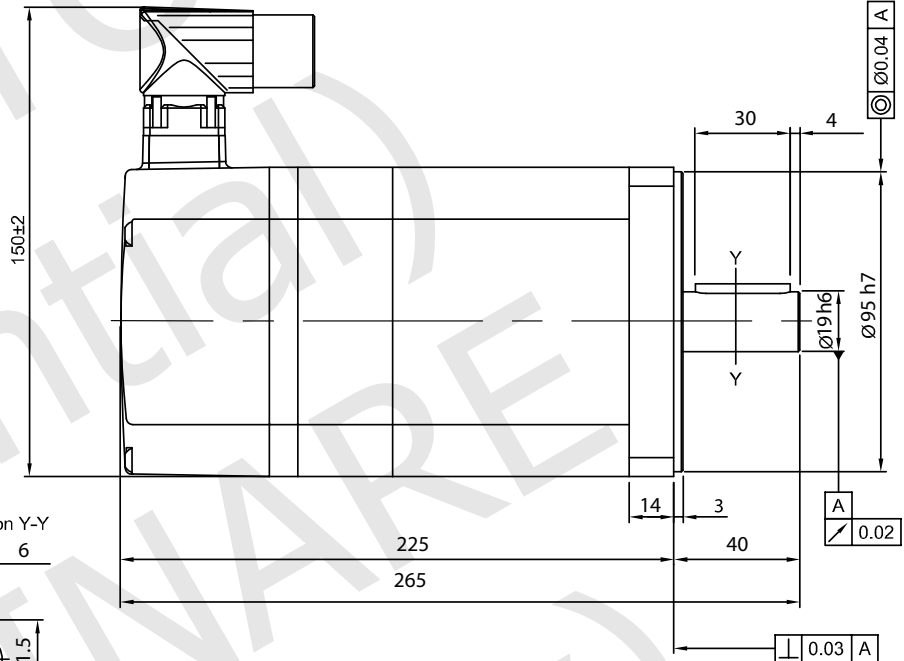
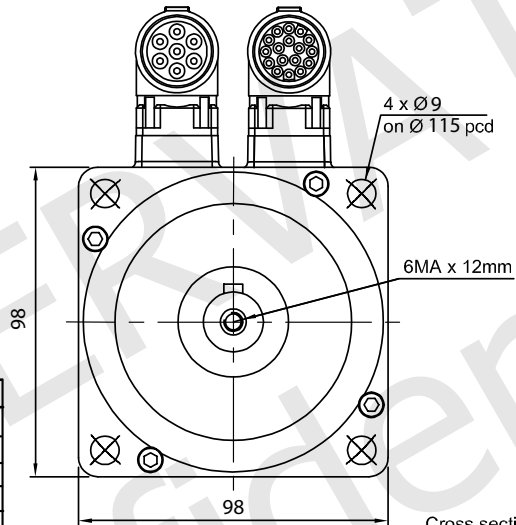
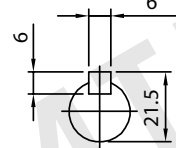


RoHS

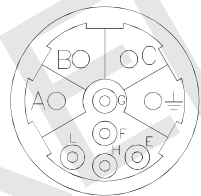


Cross section Y-Y

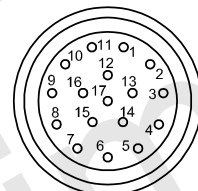


BRAKE SPECIFICATIONS	
RATED VOLTAGE	24 Vdc
RATED CURRENT	0.75 A
HOLDING TORQUE	9.00 Nm
MAX SPEED	10000 rpm
MOMENT OF INERTIA	0.54 Kg.m ² x10 ⁻⁴
ENCODER SPECIFICATIONS	
ENCODER TYPE	Absolute multiturn
SINGLE TURN RESOLUTION	17 bits
MULTITURN RESOLUTION	16 bits
POWER SUPPLY	5 Vdc
OUTPUT	BISS-C
MOTOR SPECIFICATIONS	
POLE PAIRS	5
APPLIED VOLTAGE	230 Vac
RATED POWER	1050 W
STALL TORQUE	4.00 Nm
STALL CURRENT	5.10 A
RATED TORQUE	3.50 Nm
RATED CURRENT	4.50 Arms
PEAK TORQUE	12.00 Nm
PEAK CURRENT	16.3 Arms
RATED SPEED	3000 rpm
MAX SPEED	4000 rpm
TORQUE CONSTANT	0.82 Nm/Arms ±5%
VOLTAGE CONSTANT	50.00 Vrms/Krpm ±5%
LINE TO LINE RESISTANCE	1.40 ohm ±5%
LINE TO LINE INDUCTANCE	13.5 mH
ROTOR INERTIA	2.7 Kg.m ² *10 ⁻⁴
AMBIENT TEMPERATURE	+0°C ~ +40°C
WEIGHT	5.46 Kg.
PROTECTION	IP65
INSULATION CLASS	Class F, 155°
MAX RADIAL LOAD	600 N
MAX AXIAL LOAD	150 N

WIRING DIAGRAM



Pin	Signal
A	U
B	V
C	W
W	GND
E	n.c.
F	Brake -
G	Brake +
H	n.c.
L	n.c.



Pin	Signal
1	n.c.
2	n.c.
3	Clock
4	Preset
5	Config
6	n.c.
7	GND
8	Ts+
9	Ts-
10	Vcc
11	n.c.
12	n.c.
13	Clock -
14	Data -
15	n.c.
16	Data +
17	n.c.

LABELS

Ever
ELETRONICA
the clever drive

CE
Made in Italy

CODE **BA39SA1052A0B0F**

U _N	230 Vac	n	3000 r/min
Ke	50.0 V/Krpm	DUTY	S1
I _N	4.5 A	InC	F
M _N	3.5 Nm	IP code	65
M _{stall}	4.0 Nm	S.N.	yyyyyyy
P _N	1050 W	DATE	xx/xx/xxxx

M23 male motor power connector

M23 male encoder connector

UNIT: mm	DESIGN	Stm02200-01a
UNLESS OTHERWISE SPECIFIED TOLERANCES	CHECK	
DIMENSIONS : ±0.3 mm DEGREES : ±5%	APPROVED	
DRAWING NOT TO SCALE	DATE	20 / 10 / 2022

BA39SA1052A0B0F
AC BRUSHLESS MOTOR SPECIFICATION

REV	00a / 01a - First release.



www.everelettronica.it