

## Specifications

### MODELS

Code	Power supply	Current max	Motors type
LW3A9030	100 ÷ 240 Vac	3.0 Arms	2 phases

### OPTO ISOLATED INPUTS

4 Digital IN 5 ÷ 24 Vdc NPN, PNP or Line-Driver

### OPTO ISOLATED OUTPUT

1 Digital OUT 24 Vdc - 400 mA PNP/NPN for status monitoring

### STEP RESOLUTION

Full Step, 1/2, 1/4, 1/8, 1/2.5, 1/5, 1/10 configurable by means of Dip-Switches and other step angle could be defined by software

### SCI INTERFACE

Serial interface for parameters configuration and debug in real time

### SAFETY PROTECTIONS

Over/Under voltage, Over Current, Over Temperature, Short Circuit Phase/Phase and Phase/Ground

### STATUS MONITORING

3 LED with guiding light (green and red/yellow)

### TEMPERATURE

Working: from 0°C to 40°C. Storage: from -25°C to 55°C

### HUMIDITY

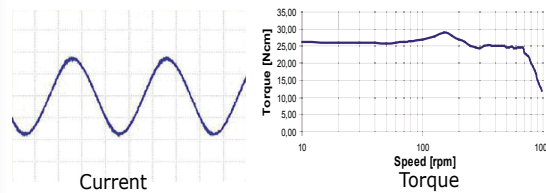
5% ÷ 85%

### PROTECTION CLASS

IP20

## Vectorial control

The sinusoidal phase current with "else" technology keeps the motor torque constant allowing smooth and noiseless movements.



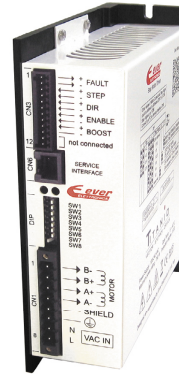
- ✓ Smooth movement
- ✓ Noiseless rotation
- ✓ Low EM emissions
- ✓ Software resonance damping
- ✓ Reduction of motor's temperature

## Vectorial drivers for 2 phases stepper motors

error  
less  
servo  
efficient

**else**<sup>®</sup>  
technology

by Ever Elettronica



**TITANIO**  
VECTOR - STEPPER - DRIVES



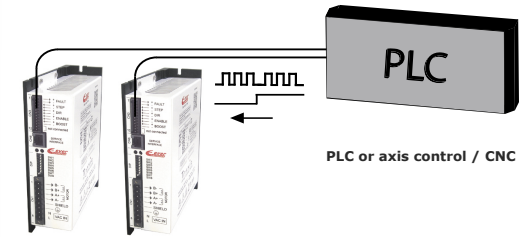
# LW3A Titanio drivers

- ✓ Mains 230 Vac power supply
- ✓ Sensorless motor stall detection
- ✓ Built-in Service Serial Interface for parameters configuration and debugging via software
- ✓ Protections against short circuit motor, open phases, over/under voltage and temperature

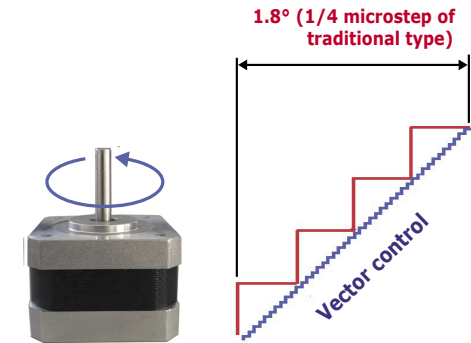


EVER Motion Solutions srl  
Via del Commercio, 2/4 -9/11  
Loc. S. Grato - Z.I.  
26900 - LODI (LO) - Italy  
Tel. 0039 0371 412318 - Fax 0039 0371 412367  
email infoever@everelettronica.it  
www.everelettronica.it

## STEP & DIRECTION



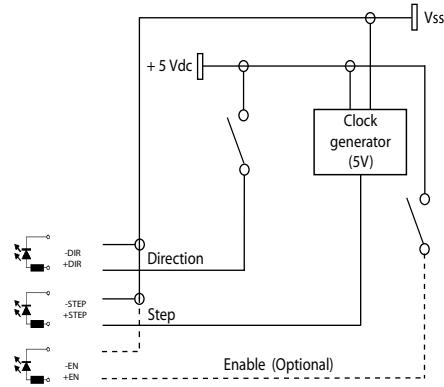
- Setting of the current value by means of dip-switches
- Selection of the step angle by means of dip-switches. In order to maintain compatibility with traditional drivers, step angles have been emulated through software, the current regulation is always sinusoidal.



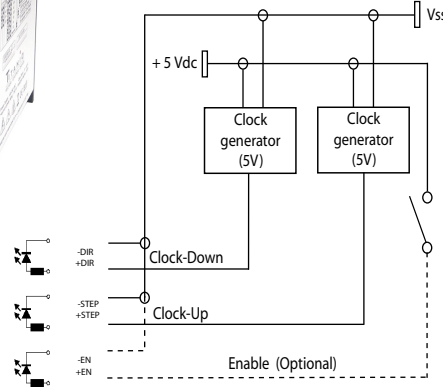
- Possibility to select five user functions:
  - 1 - enabling of motor stall detection. Reading the motor BEMF, LW3 drivers detect without encoder the step loss, showing alarm status with the Fault digital OUT and a LED sequence.
  - 2 - Step/Direction or Clock-Up / Clock-Down control mode.
  - 3 - enable input management (safety control).
  - 4 - automatic current reduction via software (still motor).

## Inputs Connection

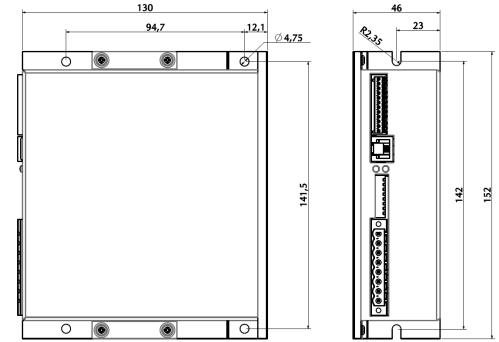
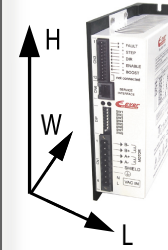
Connection of Step and Direction signals



Connection of Clock-Up & Clock-Down signals



## Mechanical Data



Models	Dimensions (mm)			Weight (g.)
	H	L	W	
LW3A9030N2A1-00	152.0	46.0	130.0	800

## Ordering Information for LW3A Drives

Ordering code	Power		System resources		
Versions	Power Supply	Current	Digital Inputs	Digital Outputs	Kit Software
<b>LW3A Drive Series: Models 9030</b>					
LW3A9030N2A1-00	100 ÷ 240 Vdc	0.0 ÷ 3.0 Arms (0.0 ÷ 4.2 Apeak)	4 opto isolated 5-24 Vdc NPN, PNP or Line Driver	1 opto isolated 24 Vdc 400 mA PNP or NPN for FAULT	LW3A9_SERV10-SL