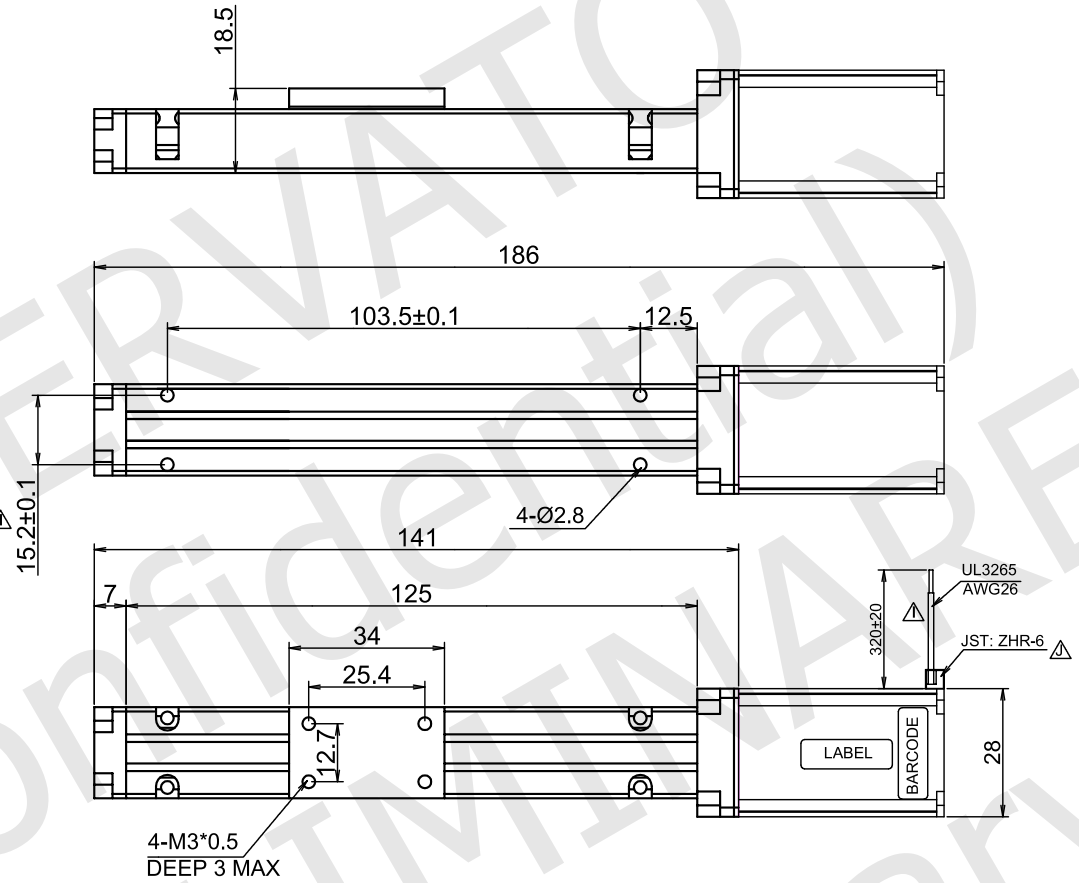
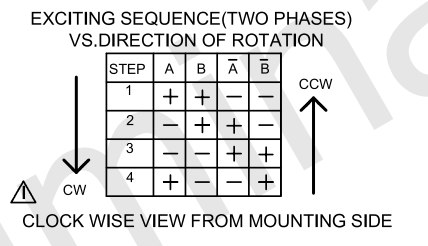
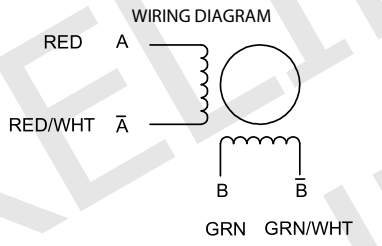


RoHS



LINEAR SPECIFICATIONS

STEP ANGLE	1.8° ±5%
RATED CURRENT	1.00 Amps/Ph
RESISTANCE	3.20 ohm ±10% at 25°C
INDUCTANCE	2.5 mH ±20% at 1kHz, 1Vrms
SCREW DIAMETER	4.76 mm
SCREW LEAD	1.27 mm
DISTANCE PER STEP	0.00635 mm
STROKE	91 max
POSITIONING ACCURACY	0.1 mm
REPEATABILITY	0.05 mm
BACKLASH	0.02 mm
TRUST FORCE	10 Kg @ 1000 pps



LABELS

(10)

Code : MT11HE18010M4A2
Cust. P/N:
Lot .:

(20)

YYWWXXXXX (25 x 8)
Stator barcode label

UNIT: mm	DESIGN	Stm01837-011
UNLESS OTHERWISE SPECIFIED TOLERANCES	CHECK	
DIMENSIONS : ±0.3 mm DEGREES : ±5%	APPROVED	
DRAWING NOT TO SCALE	DATE	02 / 02 / 2021

MT11HE18010M4A2
STEPPING MOTOR SPECIFICATION

REV	DESCRIPTION
00b	- First release.
01c	- Modified the position of lead wires output.
01d and 01e	- Modify the design.
01f	- Added the hole size.
01g	- Modify the stroke.
01i	- Modified exciting sequence and winding parameters according to samples.
01j	- Added the connector and lead wires informations.
01k / 01l	- Changed the front flange fixing holes distance and add some parameters.