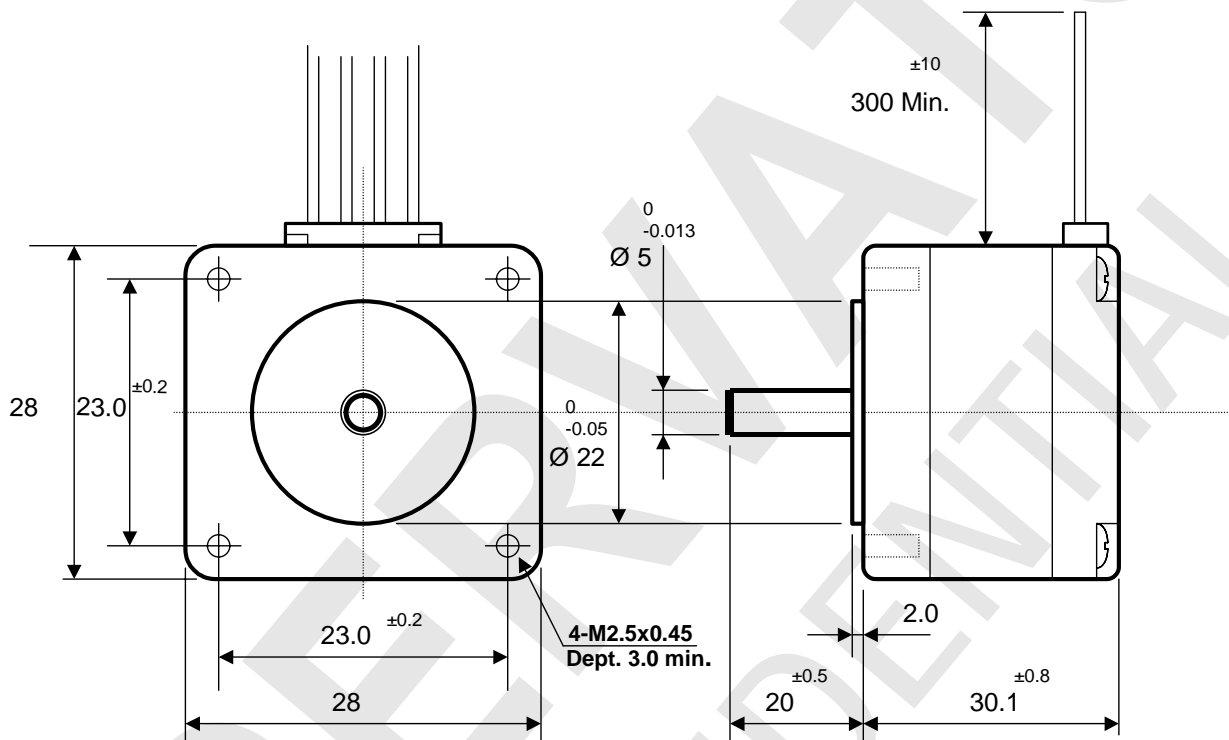
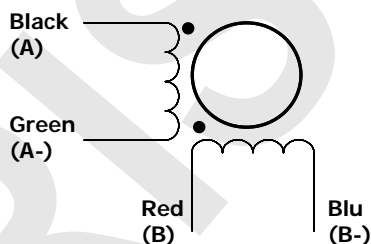


Front Flange	1.2" - 28 mm square flange	Step Angle	1.8° ±5%
Front Shaft	20.0 mm length – Ø 5.0 mm	Rear Shaft	None
Winding	# 4 lead wires	Lead Wire Length	300 mm ±10
Rated Voltage	3.20 Volt	Rated Current	0.67 Amps
Resistance	4.80 ohm ±10%	Inductance	4.30 mH ±20%
Winding	Bipolar parallel	Holding Torque	0.06 Nm
Rotor inertia	9.0 g.cm²	Insulation class	Class B, 130°C
Ambient temperature	-20°C ~ +40°C	Temperature rise	80K max
Shaft thrust load	3 N	Shaft radial load	25 N (at front shaft end)

Mechanical dimensions



Wiring diagram



Motor Labelling



Rear flange

