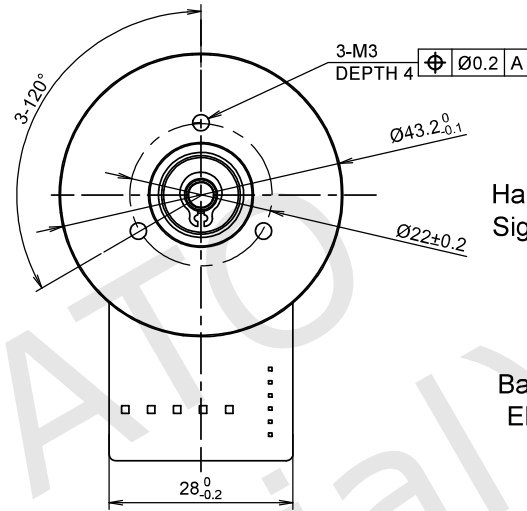
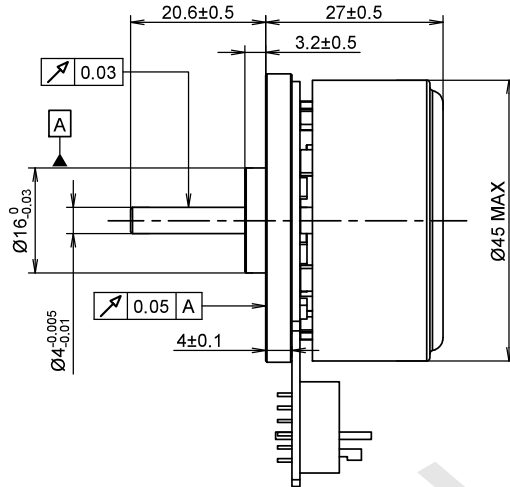
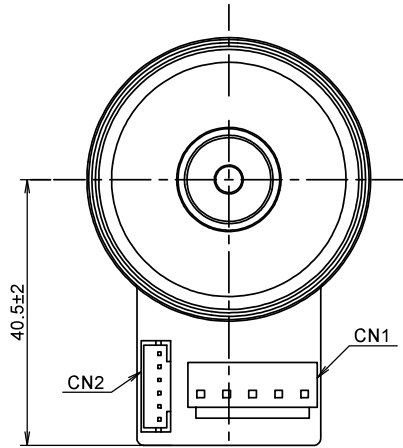
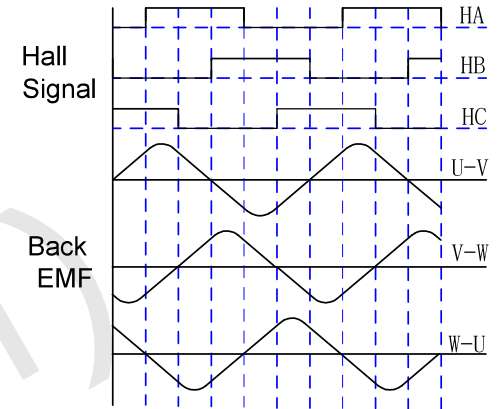


RoHS



CW FROM SHAFT SIDE



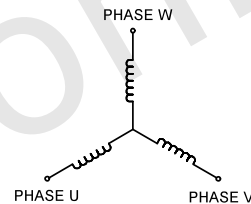
CN1 JST B5P-VH	
PIN 1	GND
PIN 2	PHASE U
PIN 3	PHASE V
PIN 4	PHASE W
PIN 5	GND

CN2 JST B6B-PH-K-S	
PIN 1	GND
PIN 2	+5V DC4.5~18V
PIN 3	HALL A
PIN 4	HALL B
PIN 5	HALL C
PIN 6	GND

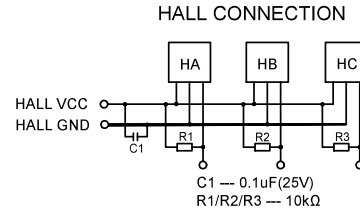
**MOTOR SPECIFICATIONS**

RATED VOLTAGE	24Vdc
POLES	16
PHASES	3
RATED CURRENT	3.50 A
PEAK CURRENT	10.0 A
RATED POWER	65 W
RATED TORQUE	0.13 Nm
PEAK TORQUE	0.39 Nm
RATED SPEED	4800 rpm ±10%
NO LOAD SPEED	6000 rpm ±10%
INSULATION CLASS	Class B, 130°C
IP CODE	IP40
DIELECTRIC STRENGTH	500 Vac 1min
INSULATION RESISTANCE	100Mohm @500Vdc
LINE TO LINE RESISTANCE	0.56 ohm ±10%
LINE TO LINE INDUCTANCE	0.27 mH ±20%
ROTOR INERTIA	181 g.cm <sup>2</sup>
BACK EMF	2.75 Vrms/Krpm
OPERATING TEMPERATURE	-20°C ~ +55°C
STORAGE TEMPERATURE	-20°C ~ +35°C
TORQUE CONSTANT	37.1 mNm/A

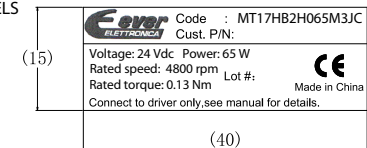
**THREE-PHASE CONNECTING**



**WIRING DIAGRAM**



**LABELS**



YYWWXXXX (25 x 8)

Stator barcode label

UNIT: mm  
UNLESS OTHERWISE SPECIFIED TOLERANCES  
DIMENSIONS : ±0.3 mm DEGREES : ±5%  
ORTHOGRAPHIC PROJECTION

SPECIFICATION	Stm02893-00a
DESIGNER	Ever China
CHECK	Mario Bianchi
APPROVED	Matteo Caldi
DATE	15 / 03 / 2024

DRAWING NOT TO SCALE

REV

00a - First release.

**MT17HB2H065M3JC**  
DC BRUSHLESS MOTOR SPECIFICATION

**Ever**  
ELETTRONICA

the clever drive  
www.everelettronica.it

Mod. 8.2-5 Rev.00