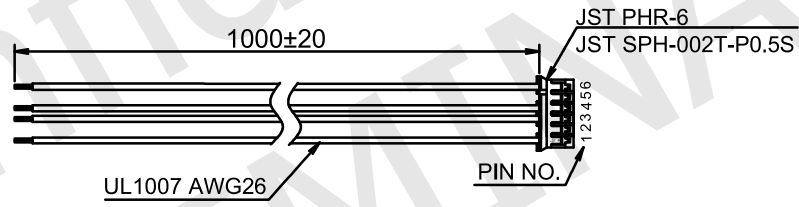
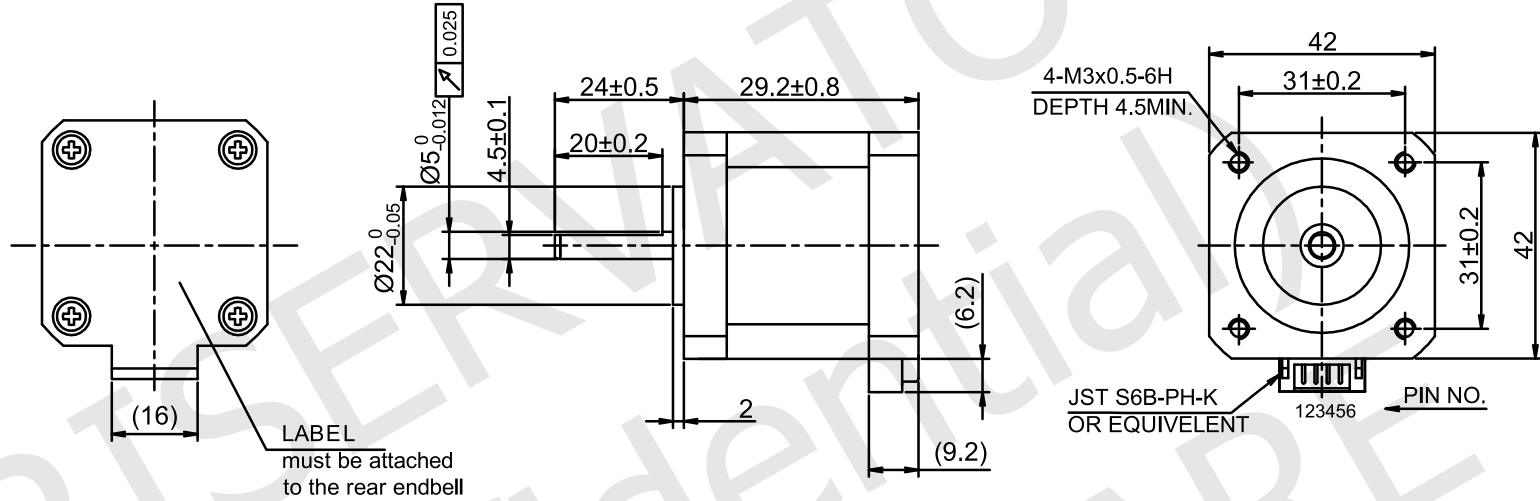
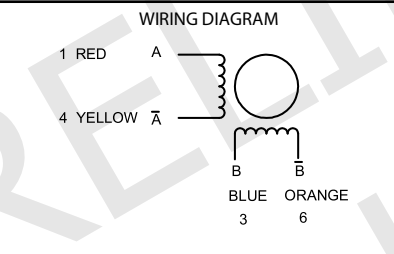


RoHS



MOTOR SPECIFICATIONS	
STEP ANGLE	1.8° ±5%
RATED CURRENT	0.80 Amps/Ph
HOLDING TORQUE	0.15 Nm Min.
RESISTANCE	3.00 ohm ±10% at 25°C
INDUCTANCE	4.70 mH ±20% at 1kHz, 1Vrms
ROTOR INERTIA	25 g.cm <sup>2</sup>
INSULATION CLASS	Class B, 130°C
DIELECTRIC STRENGTH	500 Vac 1 minute
IP CODE	IP20
PULL OUT TORQUE	---
BACK EMF	---
DETENT TORQUE	---
WEIGHT	180 g. approx
TEMPERATURE RISE	80K Max.
OPERATING TEMPERATURE	-20°C ~ +50°C
STORAGE TEMPERATURE	-20°C ~ +70°C
SHAFT AXIAL LOAD	10 N
SHAFT RADIAL LOAD	21 N (ON FRONT SHAFT END)



EXCITING SEQUENCE (TWO PHASES) VS. DIRECTION OF ROTATION

STEP	A	B	Ā	B̄	
1	+	+	-	-	CCW
2	-	+	+	-	
3	-	-	+	+	
4	+	-	-	+	

CLOCK WISE VIEW FROM MOUNTING SIDE

LABEL

Code : MT17HE12008M402

Lot #: \_\_\_\_\_ Made in China

Connect to driver only, see manual for details.

(20)

YYWWXXXXX (25 x 8)

Stator barcode label

UNIT: mm	DESIGN	Stm02444-00d
UNLESS OTHERWISE SPECIFIED TOLERANCES	CHECK	
DIMENSIONS : ±0.3 mm DEGREES : ±5%	APPROVED	
DRAWING NOT TO SCALE	DATE	23 / 02 / 2022
REV	00d - First release.	

## MT17HE12008M402

### STEPPING MOTOR SPECIFICATION

