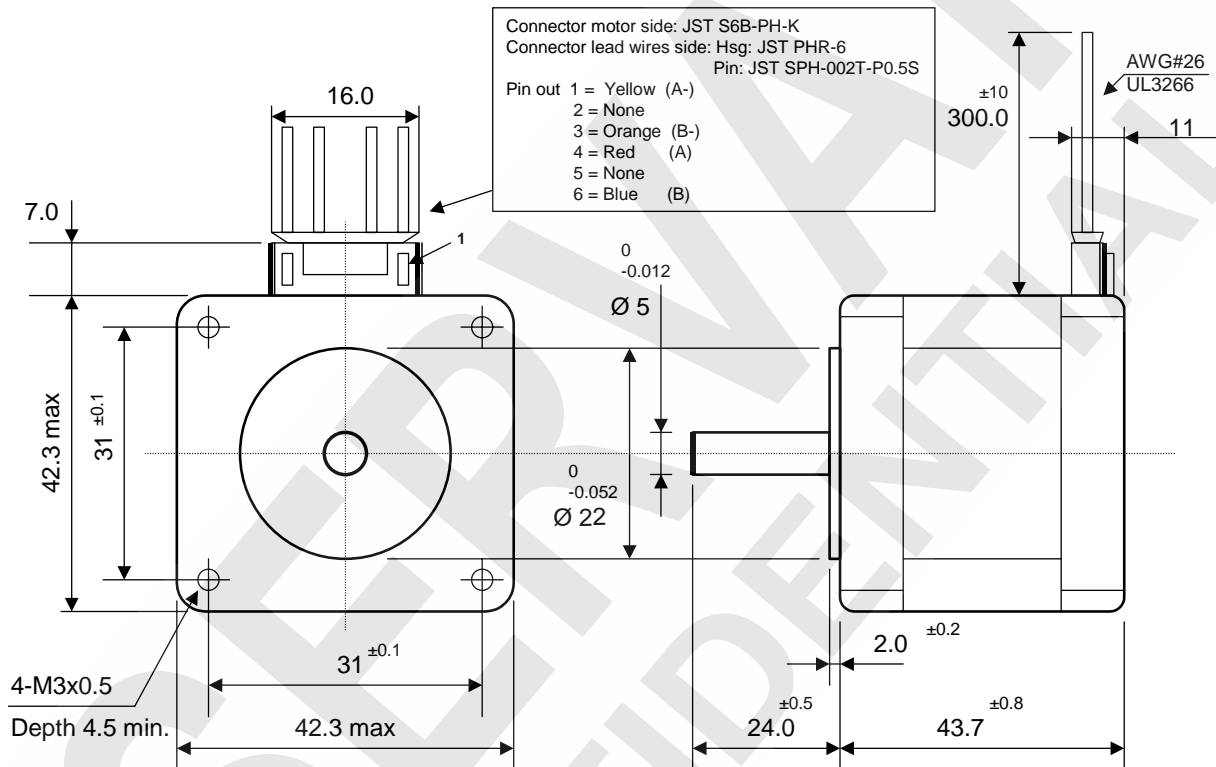
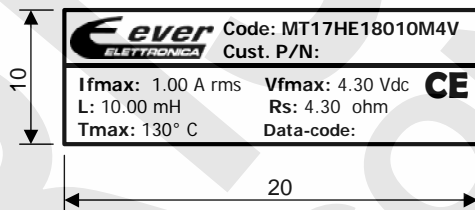


Motor size	1.7" flange – 42 mm square	Step Angle	1,8° ±5%
Front Shaft	24.00 mm length – Ø 5.00 mm	Rear Shaft	None
Winding	# 4 lead wires – UL1007 AWG#24	Lead Wire Length	300 mm ±10 with connector on board
Rated Voltage	4.30 Volt	Rated Current	1.00 A
Resistance	4.30 ohm ±10%	Inductance	10.00 mH ±20%
Winding	Bipolar parallel	Holding Torque	0.500 Nm
Rotor Inertia	69 g.cm ²	Ambient temperature	-20° ~ +50° C
Dielectric strength	500V AC 1 minute	Insulation class	B

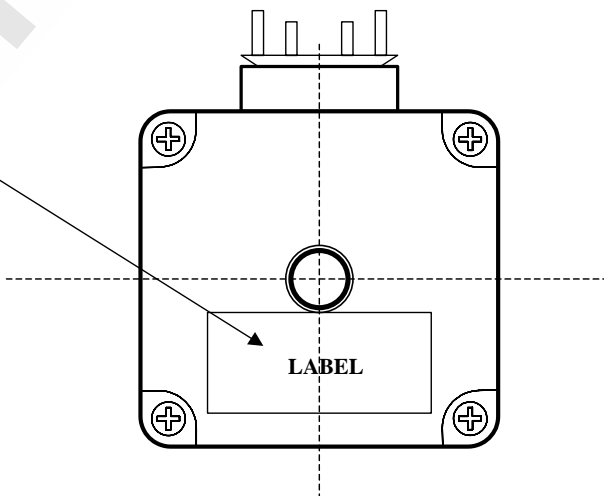


Motor Labelling

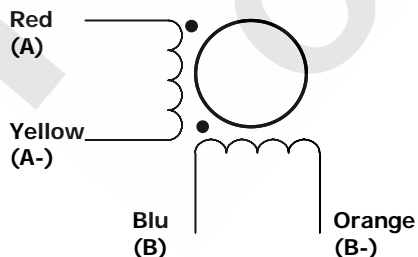
Label type: adhesive label 100°C resistant



Rear flange



Wiring diagram



	Motor specification: STM00972-01a	Date: December, 19th 2013	Customer approval: _____
	Motor code: MT17HE18010M4V		Customer p/n: _____