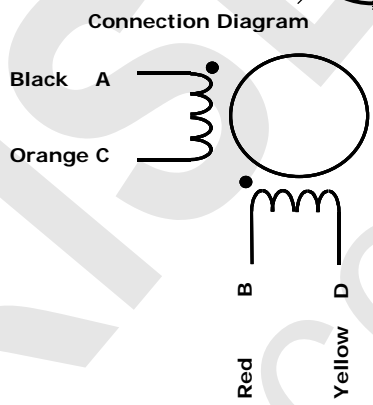
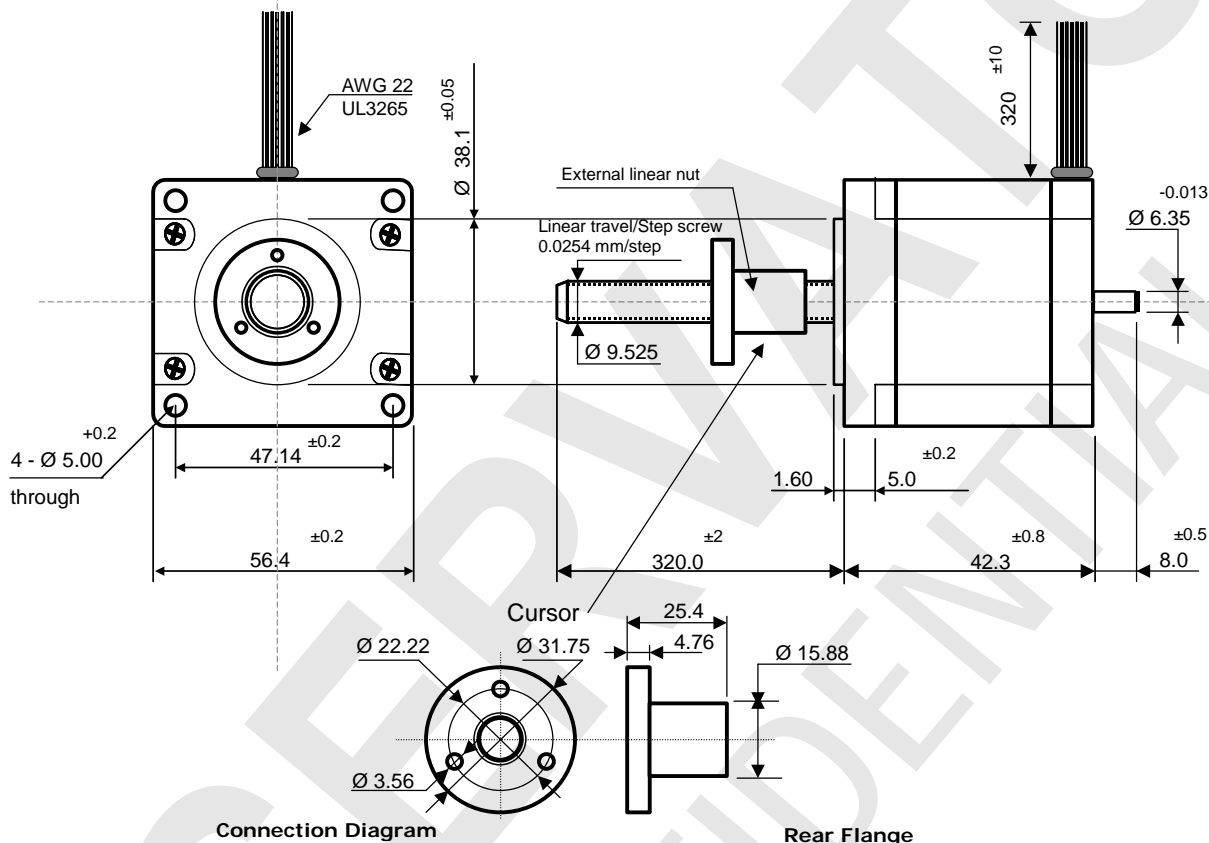


| | | | |
|---------------------|----------------------------------|------------------------|----------------------------------|
| Motor Size | 2.3" – 57 mm square shape | Step Angle | 1.8° ±5% |
| Front Shaft | Special linear actuator | Rear Shaft | 8.0 mm length – Ø 6.35 mm |
| Lead wires | #4 lead wires | Lead Wire Length | 320 mm ±10mm |
| Rated Voltage | 3.40 Volt | Rated Current | 2.00 Amps/phase |
| Resistance | 1.70 ohm ±10% | Inductance | 3.30 mH ±20% |
| Rotor Inertia | 170 g.cm² | Bipolar Holding Torque | 0.74 Nm min. |
| Winding | Bipolar parallel | Insulation class | Class B, 130°C |
| Ambient temperature | -20° ~ +40° C | Temperature rise | 80K max |



Motor Labelling

| | | |
|---|--------------------------------|--|
| | Code : MT23HE17020B4A1 | |
| | Cust. P/N: | |
| | Ifmax: 2.00 A rms Vf: 3.25 Vdc | |
| | L: 3.30 mH Rs: 1.70 ohm | |
| Tmax: 130° C | | |
| Connect to driver only, see manual for details. | | |

40

