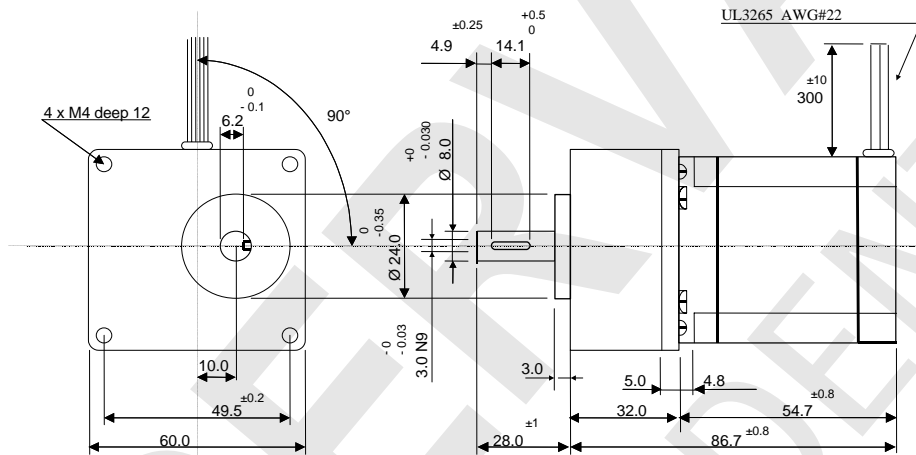


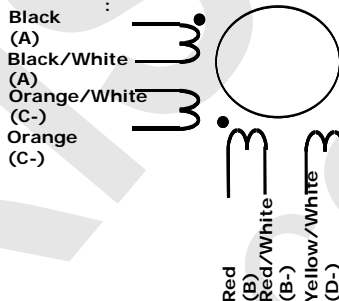
Motor Size	2.3" – 57 mm square shape		Step Angle	1.8° ±5%
Gearbox Output Front Shaft	28.60 mm length – Ø 8.00 mm with key 3.0x3.0x14.0		Rear Shaft	None
Lead wires	# 8 lead wires		Lead Wires Length	300 mm ±10mm
Rated Voltage	11.50 Volt		Rated Current	0.70 Amps/phase
Phase Resistance	16.40 ohm ±10%		Phase Inductance	30.00 mH ±20%
Motor Rotor Inertia	275 g.cm²		Bipolar holding torque at motor output	1.20 Nm min.
Ambient temperature	-20° C ~ +40° C		Temperature rise	80K max
Winding	Unipolar for bipolar series or parallel connection		Insulation class	Class B, 130°
Gearbox ratio	1 : 11		Gearbox efficiency	72%
Pullout Torque	Driver	Bipolar parallel		
	Input Voltage	36 Vdc	Current	1.0 Amps/ph
	Mode	Microstep 1/8 step		
	Torque	0.90 Nm @ 15 rpm 0.55 Nm @ 180 rpm		

Mechanical drawing

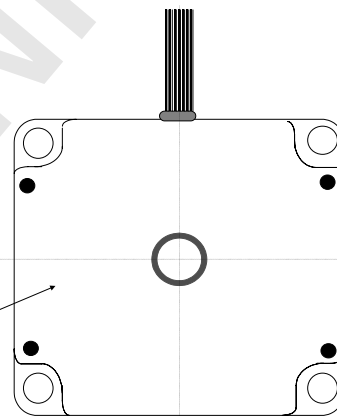
Dimension in mm



Connection lead wires color diagram



Rear flange



Motor Labelling



	Motor specification: STM01261-02c	Date: January, 27th 2015	Customer approval : _____
	Ever motor code: MT23HE22007M8G1		Customer code: _____