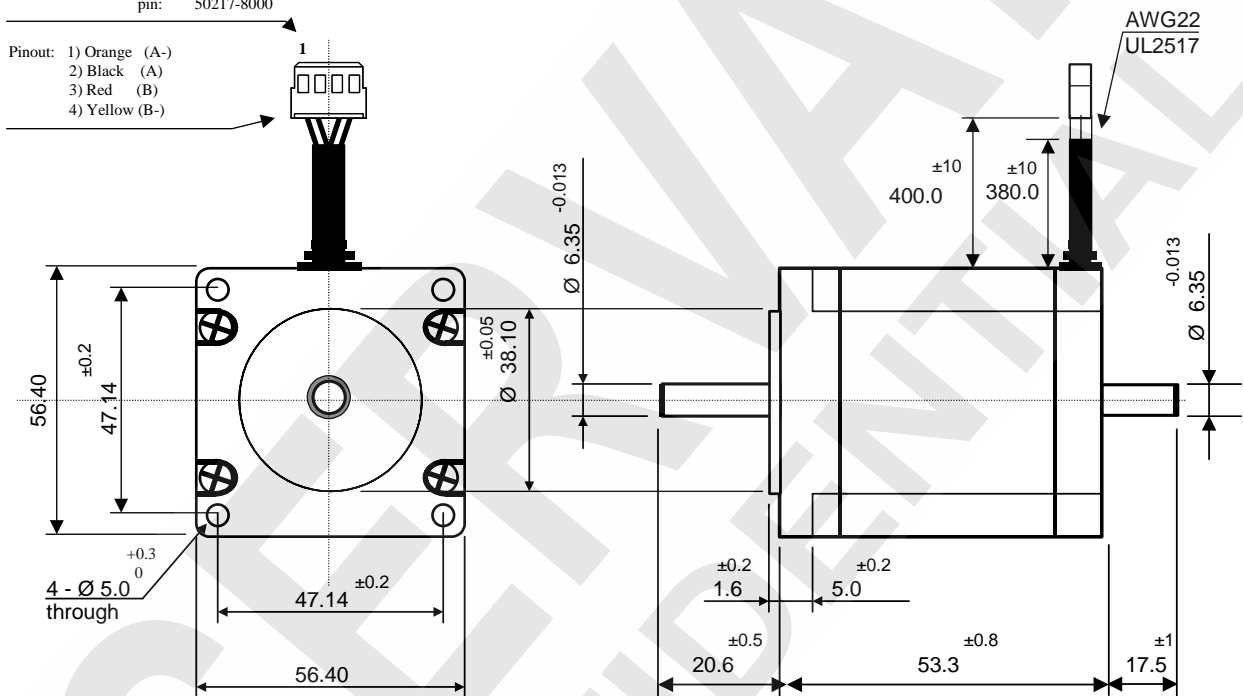


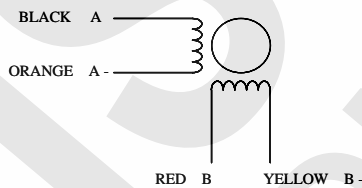
Motor Size	<b>2.3" - 57 mm square shape</b>	Step Angle	<b>1,8° ±5%</b>
Front Shaft	<b>20.6 mm length - Ø 6.35 mm</b>	Rear Shaft	<b>17.5 mm length - Ø 6.35 mm</b>
Lead wires	<b># 4 lead wires</b>	Lead Wire Length	<b>400 mm ±10mm with tube and custom connector</b>
Rated Voltage	<b>1.70 Volt</b>	Rated Current	<b>4.20 Amps/phase</b>
Resistance	<b>0.40 ohm ±10%</b>	Inductance	<b>1.20 mH ±20%</b>
Motor Rotor Inertia	<b>280 g.cm<sup>2</sup></b>	Motor Holding Torque	<b>1.200 Nm</b>
Winding	<b>Bipolar parallel</b>	Insulation class	<b>Class B, 130°</b>
Ambient temperature	<b>-20° ~ +40°C</b>	Temperature rise	<b>80K max</b>
Allowable thrust load	<b>15 N</b>	Allowable radial load	<b>75 N (at front shaft end)</b>

Connector: Molex housing: 35156-0400  
pin: 50217-8000

Pinout: 1) Orange (A-)  
2) Black (A)  
3) Red (B)  
4) Yellow (B-)

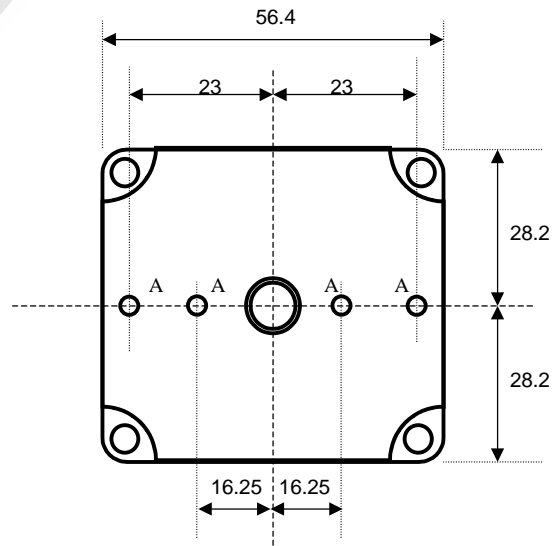


**Winding diagram**



**Rear Flange**

A = 4 x M2.5 - 4 mm minimal depth  
Working tolerances : ± 0.1 mm



**Motor label**

