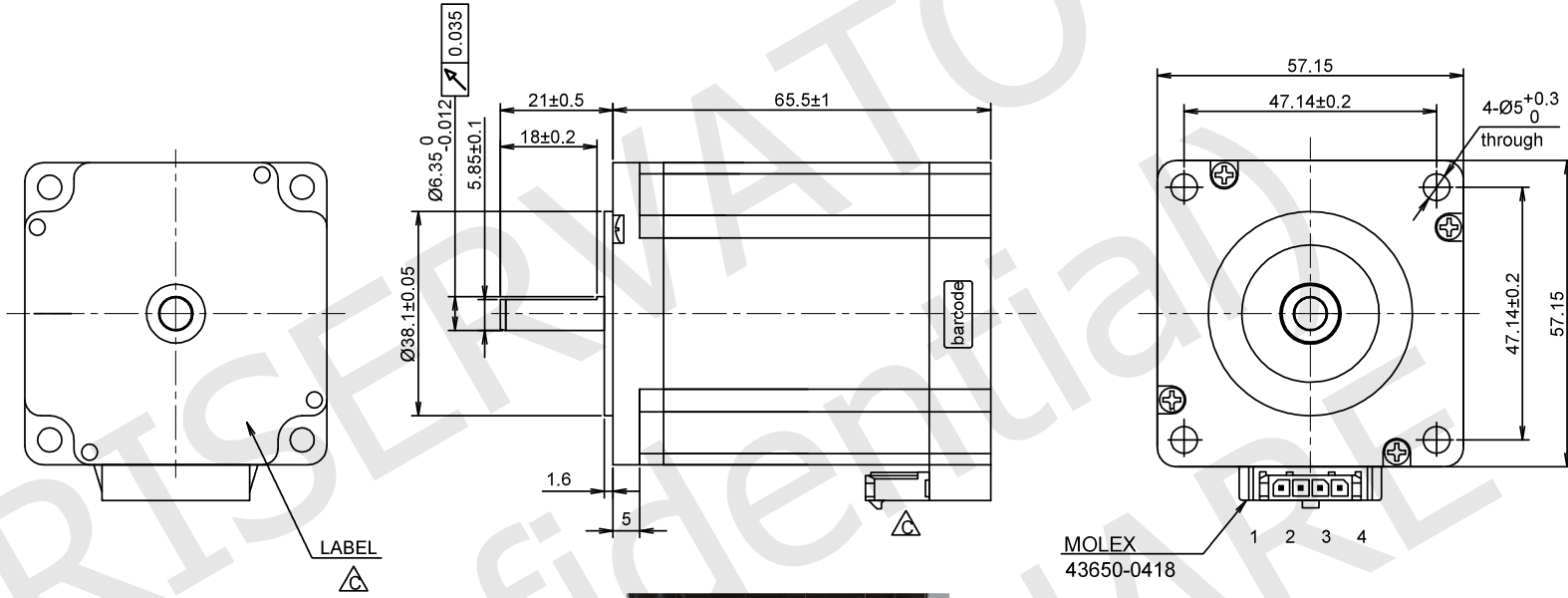
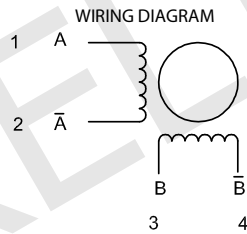


RoHS



MOTOR SPECIFICATIONS

STEP ANGLE	1.8° ±5%
RATED CURRENT	3.00 Amps/Ph
HOLDING TORQUE	1.70 Nm Min.
RESISTANCE	0.97 ohm ±10% at 25°C
INDUCTANCE	3.10 mH ±20% at 1 kHz, 1 Vrms
ROTOR INERTIA	516 g.cm ²
INSULATION CLASS	Class B, 130°C
DIELECTRIC STRENGTH	500 Vac 1 minute
IP CODE	IP20
PULL OUT TORQUE	TBD
BACK EMF	---
DETENT TORQUE	TBD
WEIGHT	1000 g. approx
TEMPERATURE RISE	80K Max.
OPERATING TEMPERATURE	-20°C ~ +50°C
STORAGE TEMPERATURE	-20°C ~ +70°C
SHAFT AXIAL LOAD	15 N
SHAFT RADIAL LOAD	75 N (ON FRONT SHAFT END)



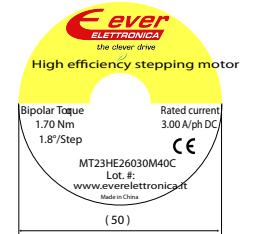
EXCITING SEQUENCE(TWO PHASES) VS.DIRECTION OF ROTATION

STEP	A	B	\bar{A}	\bar{B}
1	+	+	-	-
2	-	+	+	-
3	-	-	+	+
4	+	-	-	+

CLOCK WISE VIEW FROM MOUNTING SIDE

LABELS

YYWWXXXXX (25 x 8)
Stator barcode label



UNIT: mm
UNLESS OTHERWISE SPECIFIED TOLERANCES
DIMENSIONS : ±0.3 mm DEGREES : ±5%

DESIGN	Stm01731-00c
CHECK	
APPROVED	
DATE	11 / 04 / 2022

MT23HE26030M40C
STEPPING MOTOR SPECIFICATION



www.everelettronica.it

REV

- 00a - First release.
- 00b - Modified the winding parameters and holding torque.
- 00c - Change the way of on board connector fixing.