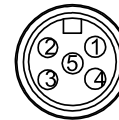
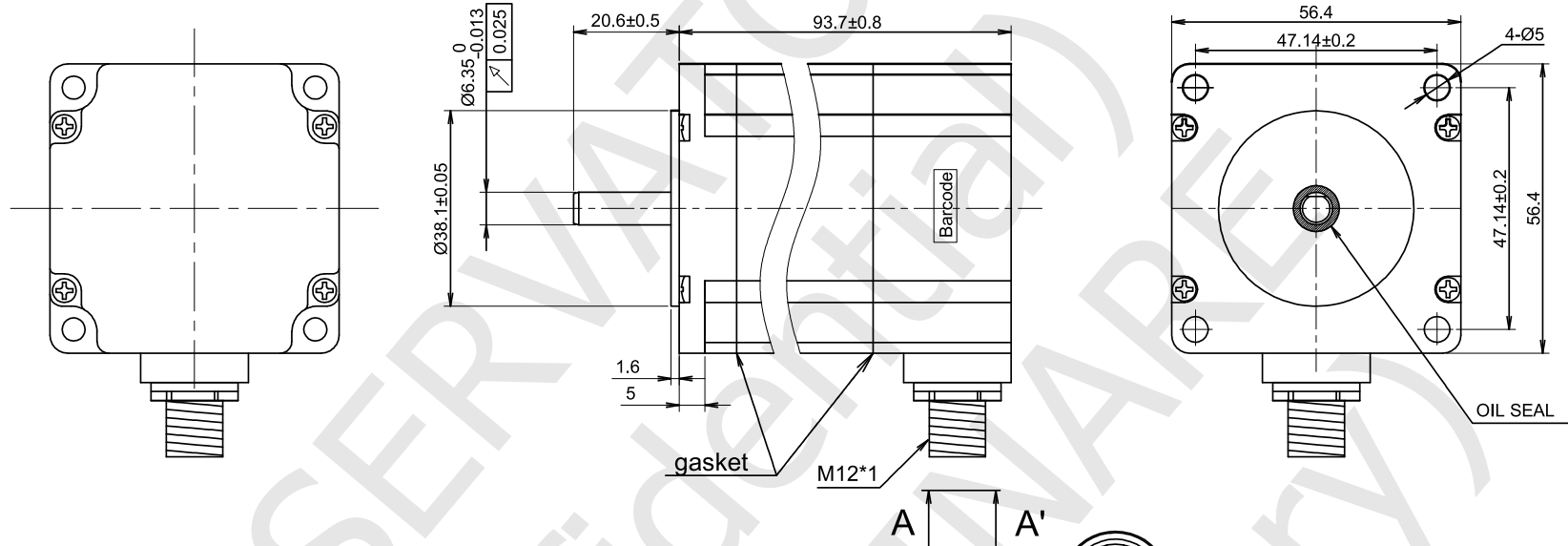


RoHS

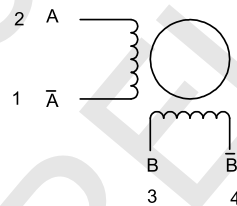


M12 MALE 5 POLES CONNECTOR MOTOR

MOTOR SPECIFICATIONS

STEP ANGLE	1.8° ±5%
RATED CURRENT	4.20 Amps/Ph
HOLDING TORQUE	2.20 Nm Min.
RESISTANCE	0.50 ohm ±0.15 at 25°C
INDUCTANCE	1.80 mH ±20% at 1kHz, 1Vrms
ROTOR INERTIA	516 g.cm ²
INSULATION CLASS	Class B, 130°C
DIELECTRIC STRENGTH	500 Vac 1 minute
IP CODE	IP65
PULL OUT TORQUE	---
BACK EMF	---
DETENT TORQUE	---
WEIGHT	1000 g. approx
TEMPERATURE RISE	80K Max.
OPERATING TEMPERATURE	-20°C ~ +50°C
STORAGE TEMPERATURE	-20°C ~ +70°C
SHAFT AXIAL LOAD	15 N
SHAFT RADIAL LOAD	75 N (ON THE SHAFT END)

WIRING DIAGRAM



EXCITING SEQUENCE (TWO PHASES) VS. DIRECTION OF ROTATION

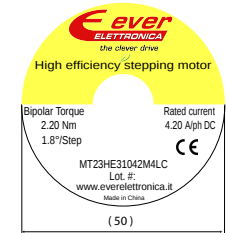
STEP	A	B	\bar{A}	\bar{B}
1	+	+	-	-
2	-	+	+	-
3	-	-	+	+
4	+	-	-	+

Clockwise (CW) rotation is indicated for steps 1, 2, and 3. Counter-clockwise (CCW) rotation is indicated for steps 3, 4, and 1.

CLOCK WISE VIEW FROM MOUNTING SIDE

LABELS

YYWWXXXXX (25 x 8)
Stator barcode label



UNIT: mm

DESIGN: Stm01808-00a

UNLESS OTHERWISE SPECIFIED TOLERANCES

CHECK

DIMENSIONS : ±0.3 mm DEGREES : ±5%

APPROVED

DRAWING NOT TO SCALE

DATE: 04 / 07 / 2019

REV

00a - First release.

MT23HE31042M4LC
STEPPING MOTOR SPECIFICATION



www.everelettronica.it