

MOTOR TECHNICAL SPECIFICATION

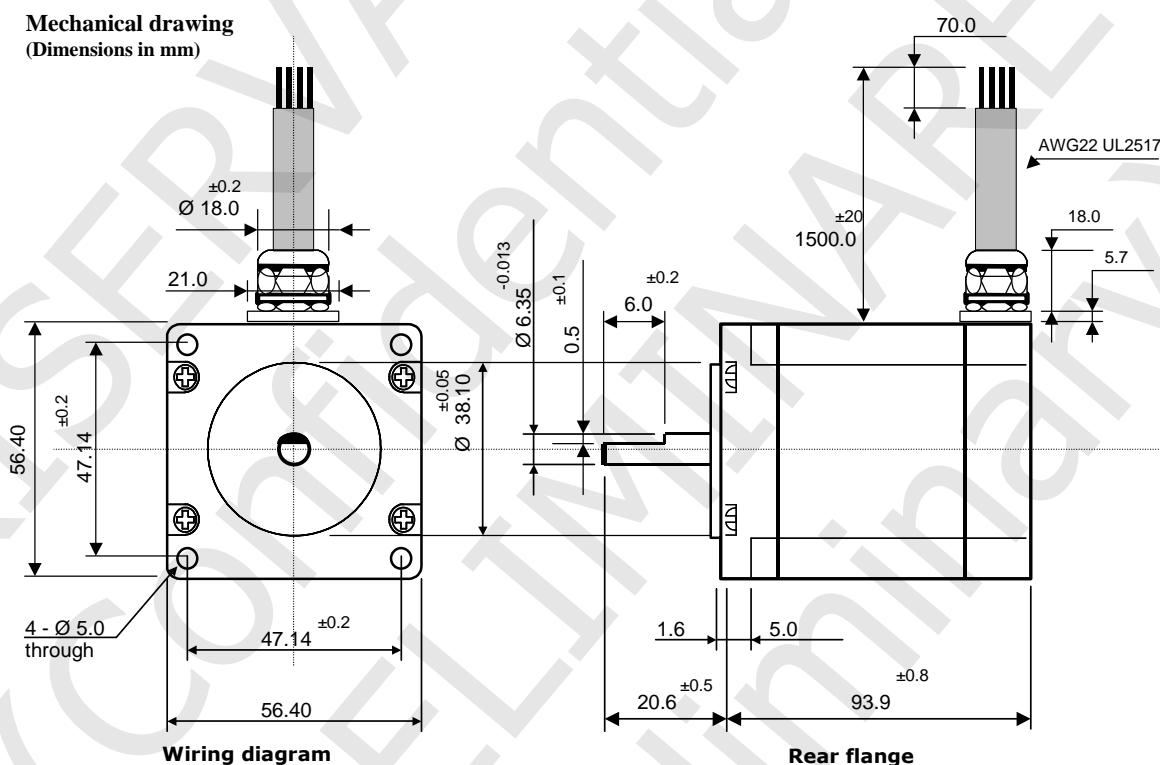
Red. : Bianchi Mario

Doc: **MT23HE31042M4P1 - 06a**

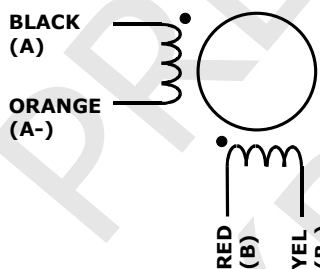
Date: 20/09/2017

Motor Size	2.3" – 57 mm square shape	Step Angle	1.8° ±5%
Front Shaft	20.6 mm length – Ø 6.35 mm with D-cut 0.5 x 6.0 mm as dwg	Rear Shaft	None
Winding	# 4 lead wires UL2517 AWG22	Lead Wire Length	1500 mm ±20mm with tube and cable conduit
Rated Voltage	2.52 Volt	Rated Current	4.20 Amps/phase
Resistance	0.60 ohm ±0.15	Inductance	1.77 mH ±20%
Motor Rotor Inertia	516 g.cm²	Motor Holding Torque	2.00 Nm min.
Protection class	IP65	Insulation class	Class B, 130°C
Dielectric strength	500 Vac 1 minute	Insulation resistance	100 Mohm min.
Ambient temperature	-20°C ~ +40°C	Temperature rise	80K max
Shaft thrust load	15N	Shaft radial load	75N (at shaft end)

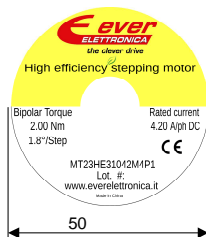
Mechanical drawing
(Dimensions in mm)



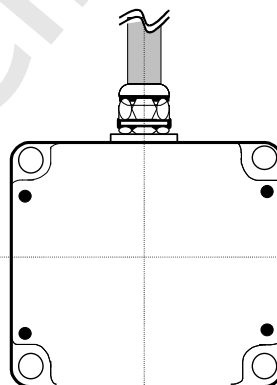
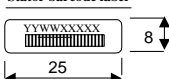
Wiring diagram



Motor Labelling



Stator barcode label



	Motor specification: STM00956-06a	Date: March, 29th 2018	APPROVAZIONE CLIENTE: _____
	Motor code: MT23HE31042M4P1		CODICE CLIENTE: _____