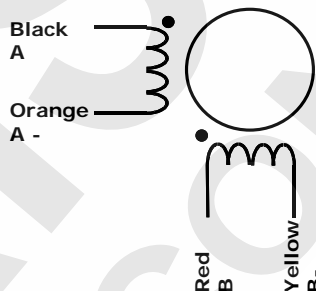
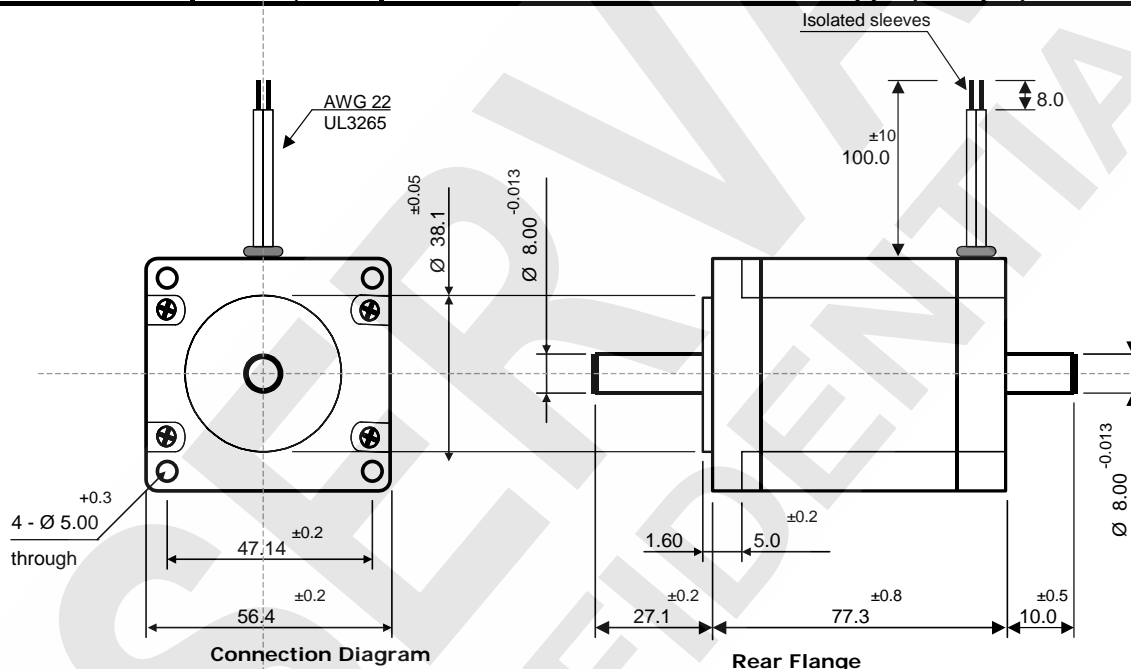
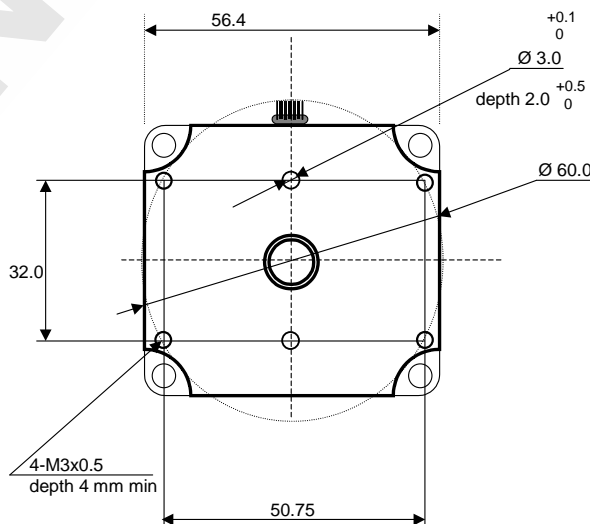
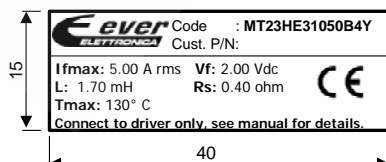


Motor Size	2.3" – 56 mm square shape		Step Angle	0.9° ±5%
Front Shaft	27.1 mm length – Ø 8.00 mm		Rear Shaft	10.0 mm length – Ø 8.00 mm
Lead wires	# 4 lead wires		Lead Wire Length	100 mm ±10mm
Rated Voltage	2.00 Volt		Rated Current	5.00 Amps/phase
Resistance	0.40 ohm ±15%		Inductance	1.70 mH ±20%
Rotor Inertia	480 g.cm²		Bipolar Holding Torque	1.60 Nm min.
Winding	Bipolar parallel		Insulation class	Class B, 130°C
Ambient temperature	-20° ~ +40° C		Temperature rise	80K max
Shaft thrust load	15 N		Shaft radial load	75 N (on shaft end)
BEMF	2000 pps 3.3V			
Pullout Torque	Driver			
	Input Voltage	48 Vdc	Current	5.0 Amps/ph
	Mode	Full step		
	Torque	1.0 Nm @ 1600 pps (240 rpm)		



Motor Labelling
Label type: aluminum adhesive label



	Motor specification: STM01251-05	Date: March 16th, 2016	Customer approval: _____
	Motor code: MT23HE31050B4Y		Customer code: _____