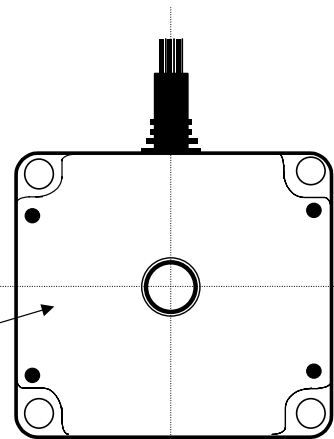
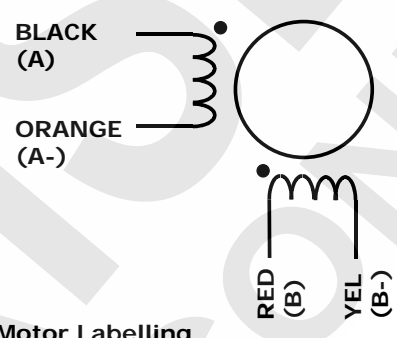
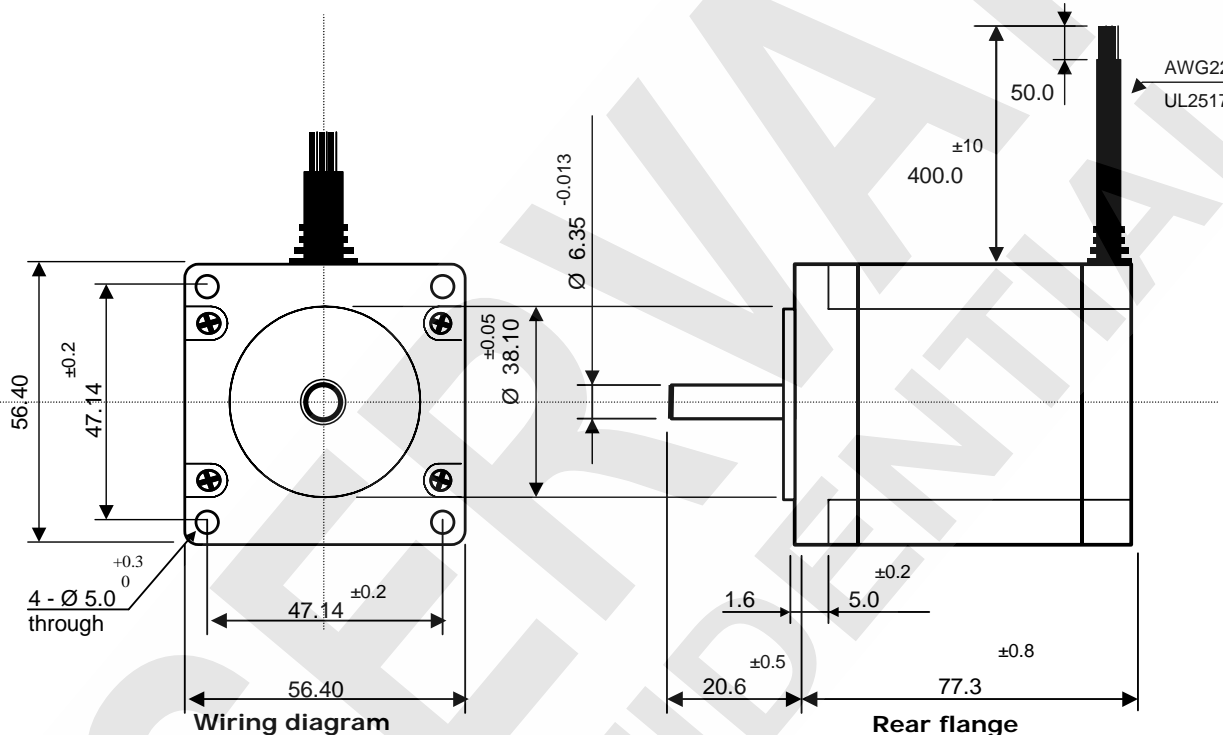


Motor Size	2.3" – 57 mm square shape	Step Angle	1,8° ±5%
Front Shaft	20.6 mm length – Ø 6.35 mm	Rear Shaft	None
Lead wires	# 4 lead wires	Lead Wire Length	400 mm ±10mm with tubed lead wires and rubber gomet
Rated Voltage	1.80 Volt	Rated Current	5.60 Amps/phase
Resistance	0.33 ohm ±10%	Inductance	0.80 mH ±20%
Motor Rotor Inertia	480 g.cm²	Bipolar Holding Torque	1.87 Nm min.
Winding	Bipolar parallel	Insulation class	Class B, 130°C
Ambient temperature	-20° ~ +40° C	Temperature rise	80K max
Shaft thrust load	15N	Shaft radial load	75N (at shaft end)



	Motor specification: STM00931-01c	DATE: December, 02nd 2015	
	Motor code: MT23HE31056M4		CODICE CLIENTE: