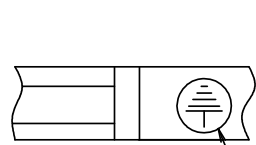
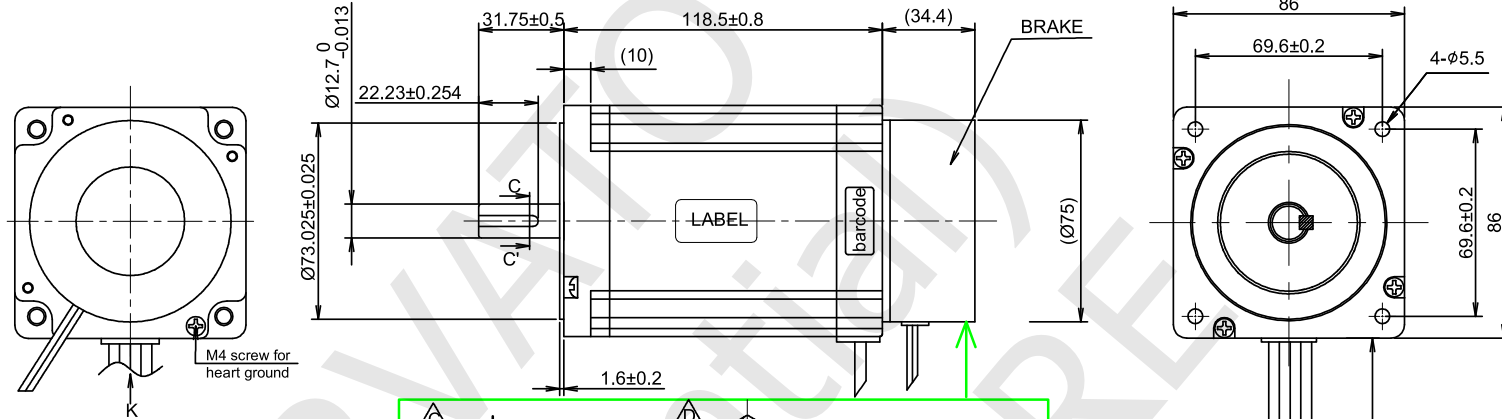
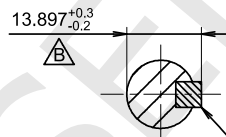


RoHS



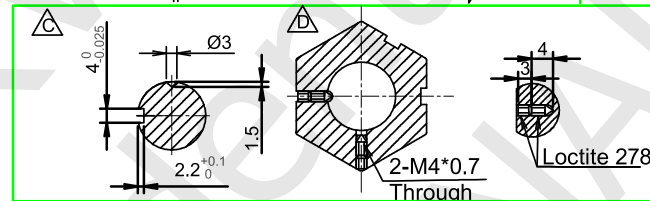
K VIEW

GROUND LABEL



C-C' VIEW

Key 3.175*3.175*22.23

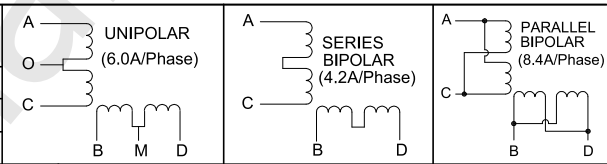
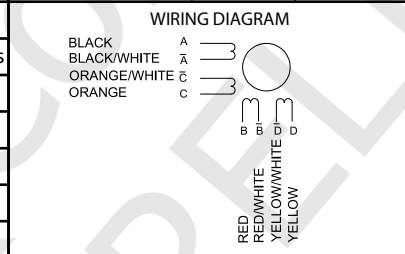


UL3266
AWG20

BRAKE SPECIFICATIONS	
VOLTAGE	24V
STATIC TORQUE	4.0N.m
POWER	13W
CURRENT	0.54A

MOTOR SPECIFICATIONS	
STEP ANGLE	1.8° ±5%
RATED CURRENT	6.00 Amps/Ph
HOLDING TORQUE	11.80 Nm Min.
RESISTANCE	0.80 ohm ±0.15 at 25°C
INDUCTANCE	4.20 mH ±20% at 1kHz, 1Vrms
ROTOR INERTIA	3785 g.cm ²
INSULATION CLASS	Class B, 130°C
DIELECTRIC STRENGTH	500 Vac 1 minute
IP CODE	IP20
PULL OUT TORQUE	---
BACK EMF	---
DETENT TORQUE	---
WEIGHT	4600 g. approx
TEMPERATURE RISE	80K Max.
OPERATING TEMPERATURE	-20°C ~ +50°C
STORAGE TEMPERATURE	-20°C ~ +70°C
SHAFT AXIAL LOAD	60 N
SHAFT RADIAL LOAD	220 N (ON FRONT SHAFT END)

CONNECTION MODE	RESISTANCE (ohm)	INDUCTANCE (mH)	RATED CURRENT (A)	RATED VOLTAGE (V)	HOLDING TORQUE N.m(oz.in)
UNIPOLAR	0.8	4.2	6.0	4.8	8.5(1198)
SERIES BIPOAR	1.6	16.8	4.2	6.72	11.8(1663)
PARALLEL BIPOLAR	0.4	4.2	8.4	3.36	11.8(1663)



LABELS

(15)

YYWWXXXXX (25 x 8)
Stator barcode label

UNIT: mm	DESIGN	Stm01010-01d
UNLESS OTHERWISE SPECIFIED TOLERANCES	CHECK	
DIMENSIONS : ±0.3 mm DEGREES : ±5%	APPROVED	
DRAWING NOT TO SCALE	DATE	18 / 03 / 2019
REV	01b - First release with new drawing, changed the key on front shaft tolerance.	
	01c - Added indication for the rear shaft fixing on the brake.	
	01d - Modified the mounting of the brake.	

MT34HE47060B8F1

STEPPING MOTOR SPECIFICATION

