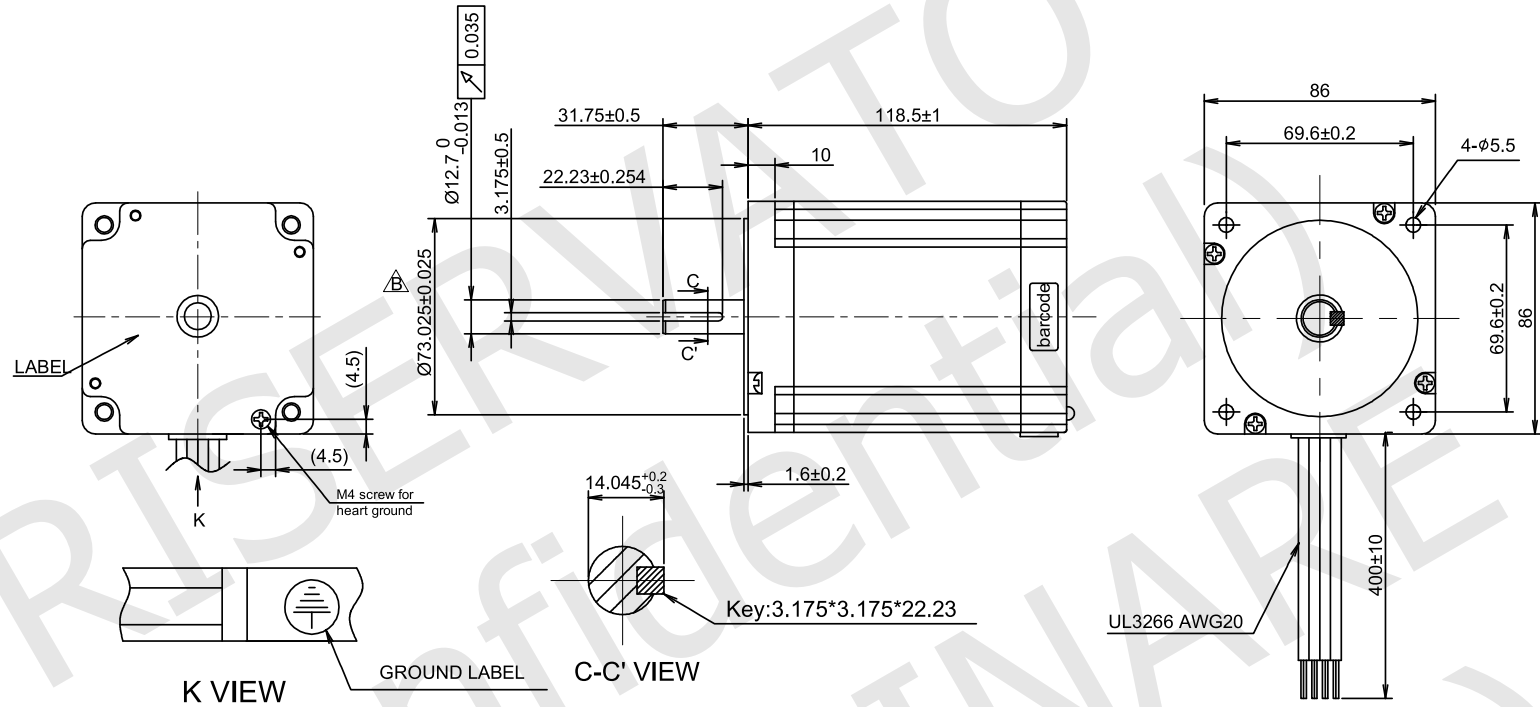


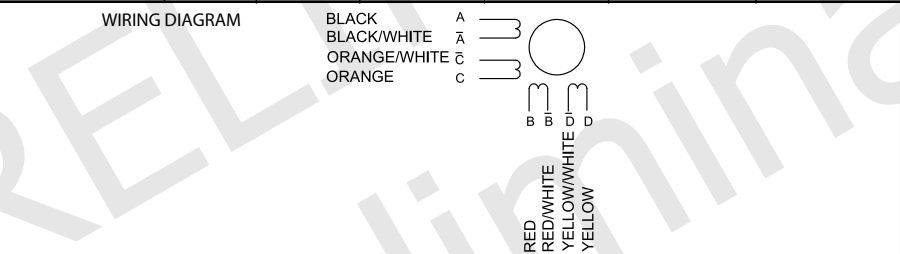
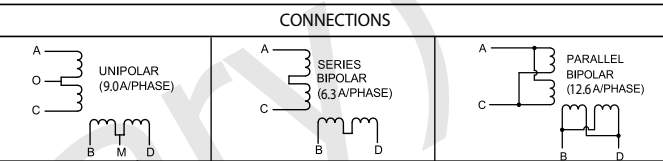
RoHS



MOTOR SPECIFICATIONS

STEP ANGLE	1.8° ±5%
RATED CURRENT	9.00 Amps/Ph
HOLDING TORQUE	11.80 Nm Min.
RESISTANCE	0.40 ohm ±0.1 at 25°C
INDUCTANCE	1.70 mH ±20% at 1kHz, 1Vrms
ROTOR INERTIA	3785 g.cm ²
INSULATION CLASS	Class B, 130°C
DIELECTRIC STRENGTH	500 Vac 1 minute
IP CODE	IP20
PULL OUT TORQUE	---
BACK EMF	---
DETENT TORQUE	---
WEIGHT	4000 g. approx
TEMPERATURE RISE	80K Max.
OPERATION AMBIENT	-20°C ~ +50°C
STORAGE AMBIENT	-20°C ~ +70°C
SHAFT AXIAL LOAD	60 N
SHAFT RADIAL LOAD	220 N (ON FRONT SHAFT END)

CONNECTION MODE	RSISTANCE (ohm)	INDUCTANCE (mH)	RATE CURRENT (A)	RATE VOLTAGE (V)	HOLDING TORQUE N.m
UNIPOLAR	0.40	1.70	9.00	3.60	8.40
SERIES BIPOAR	0.80	6.80	6.30	5.04	11.80
PARALLEL BIPOLAR	0.20	1.70	12.60	2.52	11.80



LABELS

YYWWXXXXX (25 x 8)
 Stator barcode label

UNIT: mm	DESIGN	Stm00858-03b
UNLESS OTHERWISE SPECIFIED TOLERANCES	CHECK	
DIMENSIONS : ±0.3 DEGREES : ±0.5	APPROVED	
DRAWING NOT TO SCALE	DATE	21 / 02 / 2022

MT34HE47060M8K
 STEPPING MOTOR SPECIFICATION

REV	03b - First release.