

Installation instructions



Refer to installation use and maintenance manual for more information.



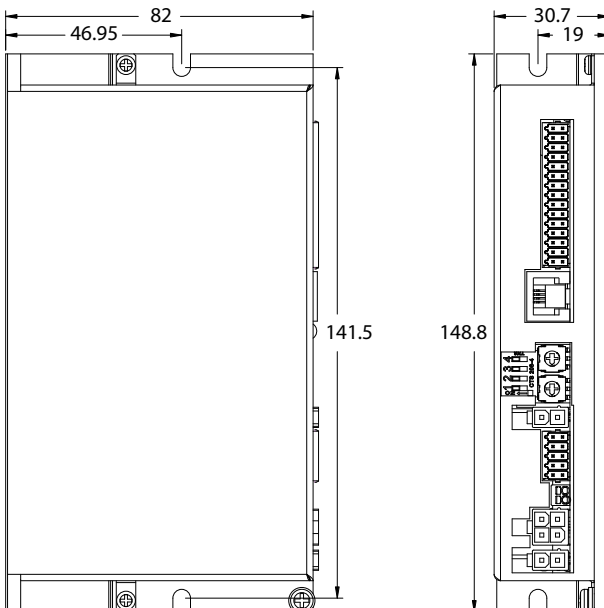
2 phase bipolar stepper drive technical data:

- AC power supply: 18 ± 56 Vac
- DC logic supply: 24 Vdc (optional and not isolated)
- Phase current: up to 4.5 Apeak (3032 serie) or up to 10 Apeak (3070 serie)
- Chopper frequency: ultrasonic 40KHz
- Stepless Control Technology (65536 position per turn)
- Protections against: over current, over/under voltage, overheating, short circuit between motor phase-to-phase and phase-to-ground
- Modbus (SW4A30xxM261-01 versions) or Canbus (SW4A30xxC261-01 versions) communication interfaces
- Encoder input (not isolated): 5V Differential (RS422) or 5V Single-Ended (TTL/CMOS) incremental encoder
- Encoder output (not isolated): 5V Differential (RS422)
- Service SCI interface for programming and real time debugging
- 4 digital inputs (opto-coupled)
- 2 digital outputs (opto-coupled)
- 2 analog inputs
- Dimensions: 148.8 x 82 x 30 mm (without connectors)
- Protection degree: IP20
- Pollution degree: 2
- Category C3 following standard EN 61800-3
- Working temperature $5^{\circ}\text{C} \pm 40^{\circ}\text{C}$; Storage temperature $-25^{\circ}\text{C} \pm 55^{\circ}\text{C}$
- Humidity: $5\% \pm 85\%$ not condensing.

TITANIO
VECTOR - STEPPER - DRIVES

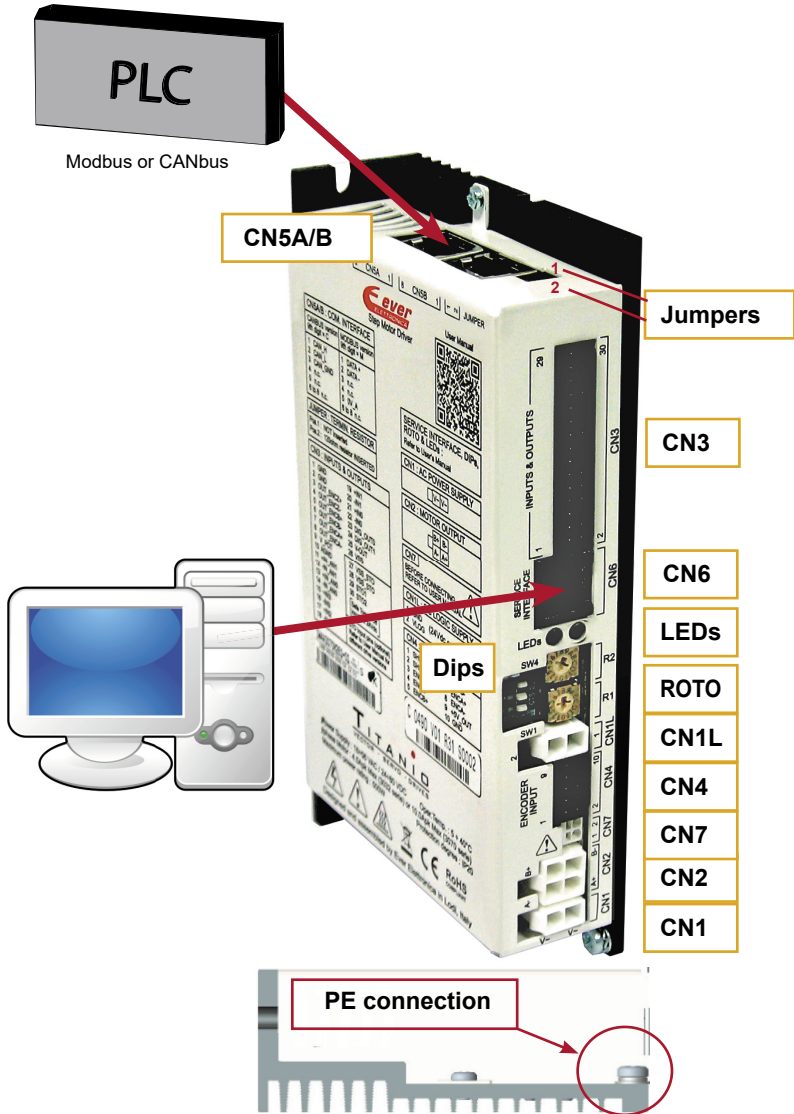
error
less
servo
efficient
else
technology[®]
by Ever Electronics

Mechanical data



System connections

Connectors:



Power and Logic supplies are not isolated but they have common reference inside the drive.



Use two separate and isolated supply for logic and digital outputs.



Connect GND of the logic supply and VSS of the output supply to PE near to the origin of the supplies with two different wires.



Do not connect simultaneously PE to the secondary circuit of the power transformer and to GND of the logic supply, otherwise the drive breaks and becomes unusable.

System connection

CN1: Power supply

2 positions, pitch 4.2mm double row, PCB header connector

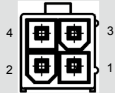
CN1.1	ACin	PWR_IN	AC power supply input
CN1.2	ACin	PWR_IN	AC power supply input



CN2: Motor connection

4 positions, pitch 4.2mm double row, PCB header connector

CN2.1	B/	PWR_OUT	Motor output phase B/
CN2.2	A/	PWR_OUT	Motor output phase A
CN2.3	B	PWR_OUT	Motor output phase B
CN2.4	A/	PWR_OUT	Motor output phase A/



CN1L: Logic supply

2 positions, pitch 4.2mm double row, PCB header connector

CN1L.1	GND	PWR_IN	Negative DC logic supply input
CN1L.2	VLOG	PWR_IN	Positive DC logic supply input

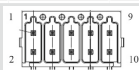


Not isolated from the power.

CN4: Encoder Input Connection

10 positions, pitch 2.54mm double row, PCB header connector

CN4.1	SHIELD	/	Cable shield connection
CN4.2	SHIELD	/	Cable shield connection
CN4.3	ENCZ+	DIG_IN	Encoder Zero Input Positive
CN4.4	ENCZ-	DIG_IN	Encoder Zero Input Negative
CN4.5	ENCB+	DIG_IN	Encoder Phase B Input Positive
CN4.6	ENCB-	DIG_IN	Encoder Phase B Input Negative
CN4.7	ENCA+	DIG_IN	Encoder Phase A Input Positive
CN4.8	ENCA-	DIG_IN	Encoder Phase A Input Negative
CN4.9	+5V	PWR-OUT	+5Vdc power supply output
CN4.10	GND	PWR-OUT	Negative side of supply



CN7: External capacitor connection

For connection refer to "Adding an External Capacitor" paragraph at [page 8](#)

CN7.1			Reserved pin - DO NOT CONNECT
CN7.2	+DC_BUS	PWR_OUT	Positive DC logic supply input



CN5A e CN5B: CANbus interface ("C" version)

RJ45, 8 positions shielded, PCB header connector

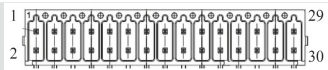
CN5.1	CAN_H	DIGITAL_I/O	Bus line dominant HIGH
CN5.2	CAN_L	DIGITAL_I/O	Bus line dominant LOW
CN5.3	CAN_GND	PWR_OUT	Signal ground
CN5.4	N.C.	---	Not connected
CN5.5	N.C.	---	Not connected
CN5.6	N.C.	---	Not connected
CN5.7	N.C.	---	Not connected
CN5.8	N.C.	---	Not connected



CN3: Inputs and outputs

30 positions, pitch 2.54mm double row, PCB header connector

CN3.1	GND	PWR_OUT	Reference ground for encoder
CN3.2	GND	PWR_OUT	Reference ground for encoder
CN3.3	OUT_ENCZ+	DIG_OUT	Encoder Zero Output Positive
CN3.4	OUT_ENCZ-	DIG_OUT	Encoder Zero Output Negative
CN3.5	OUT_ENCB+	DIG_OUT	Encoder Phase B Output Positive
CN3.6	OUT_ENCB-	DIG_OUT	Encoder Phase B Output Negative
CN3.7	OUT_ENCA+	DIG_OUT	Encoder Phase A Output Positive
CN3.8	OUT_ENCA-	DIG_OUT	Encoder Phase A Output Negative
CN3.9	V_POT	PWR_OUT	Voltage supply output for potentiometer
CN3.10	AGND	PWR_OUT	Output negative reference for potentiometer
CN3.11	+IN_AN1	AN_IN	Analog input 1 positive side
CN3.12	-IN_AN1	AN_IN	Analog input 1 negative side
CN3.13	+IN_AN0	AN_IN	Analog input 0 positive side
CN3.14	-IN_AN0	AN_IN	Analog input 0 negative side
CN3.15	+IN3	DIG_IN	Digital input 3 positive side
CN3.16	-IN3	DIG_IN	Digital input 3 negative side
CN3.17	+IN2	DIG_IN	Digital input 2 positive side
CN3.18	-IN2	DIG_IN	Digital input 2 negative side
CN3.19	+IN1	DIG_IN	Digital input 1 positive side
CN3.20	-IN1	DIG_IN	Digital input 1 negative side
CN3.21	+IN0	DIG_IN	Digital input 0 positive side
CN3.22	-IN0	DIG_IN	Digital input 0 negative side
CN3.23	DIG_OUT0	DIG_OUT	PNP digital output OUT0
CN3.24	DIG_OUT1	DIG_OUT	PNP digital output OUT1
CN3.25	V-OUT	PWR_IN	24Vdc supply for digital output
CN3.26	VSS	PWR_IN	Negative input supply for digital output
CN3.27	n.c.		Not connected
CN3.28	n.c.		Not connected
CN3.29	n.c.		Not connected
CN3.30	n.c.		Not connected



CN6: Service_SCI interface

RJ11 6P4C, PCB header connector

CN6.1	TX/RX		Transmit / Receive Line
CN6.2	DE/RE		Drive Enable Negated / Receive Enable
CN6.3	+5V		+5V power out
CN6.4	GND		DNG power out



This connection is only possible with hardware and software provided by Ever.

CN5A e CN5B: Modbus interface ("M" version)

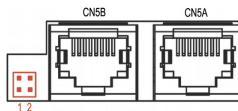
RJ45, 8 positions shielded, PCB header connector

CN5.1	Data +	DIGITAL_I/O	Positive RS485 signal
CN5.2	Data -	DIGITAL_I/O	Negative RS485 signal
CN5.3	N.C.	---	Not connected
CN5.4	N.C.	---	Not connected
CN5.5	0V_A	PWR_OUT	Signal ground
CN5.6	N.C.	---	Not connected
CN5.7	N.C.	---	Not connected
CN5.8	N.C.	---	Not connected

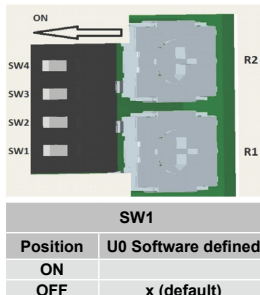


Dip-Switches and Roto-Switches settings

Jumpers	
Position	Termination resistor
1	120 ohm resistor NOT inserted (default)
2	120 ohm resistor INSERTED



Baud Rate Selection				
SW2	SW3	SW4	Modbus	CANbus
OFF	OFF	OFF	115200	1M
OFF	OFF	ON	57600 (default)	500K (default)
OFF	ON	OFF	38400	250K
OFF	ON	ON	19200	125K
ON	OFF	OFF	9600	100K
ON	OFF	ON	4800	50K
ON	ON	OFF	2400	50K
ON	ON	ON	1200	50K



Node ID selection																	
Node ID #											Reserved						
Roto	Reserved	1 (default)	2	3	...	44	45	...	126	127	0	1	E	F
R1	0	1	2	3	...	C	D	...	E	F	0	1	E	F
R2	0	0	0	0	...	2	2	...	7	7	8	8	F	F

! **NOTE:** the device reads the Roto-Switches only during the power up.
If it's necessary a setting change, shut down the system, change the settings and start up the system again to make the changes operating.

Working Status (Led)

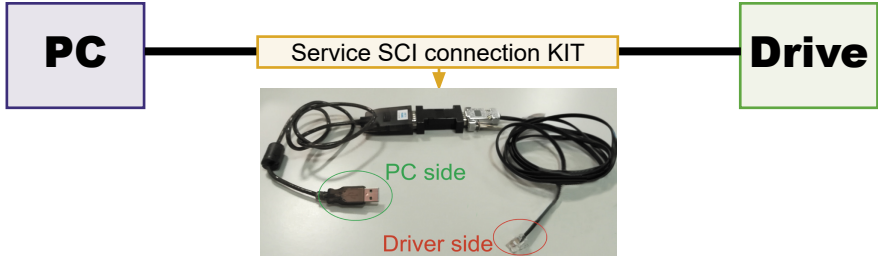
	Visualization status	Description
1	● Green ON	Correct functioning.
2	○ Green BLINKING	Enable OFF, current zero
3	● Yellow ON	Missing setting of Inominal.
4	○ Yellow BLINKING (500 ms)	Warning: connect with Service SCI kit and check with software.
5	● Red ON	Protection: motor is in open phase condition.
6	○ Red BLINKING (200 ms)	Current protection.
7	● Red ON (1 sec) and Yellow 1 BLINK	Under/Over voltage protection.
8	● Red ON (1 sec) and Yellow 3 BLINK	Thermal protection
9	● Red ON (1 sec) and Yellow 4 BLINK	Motor feedback error.
10	● Red ON (1 sec) and Yellow 5 BLINK	Missing Torque Enable (missing Safe Torque Off)
11	● Red ON (1 sec) and Yellow 6 BLINK	Motor current regulation is out of range.
12	● Red ON (1 sec) and Yellow 7 BLINK	eePLC User Protection (generated by setting bit# of eePLC_User_Settings)
13	● Blue ON	Error: connected with Service SCI kit and check with software.
14	● Blue ON and Yellow ON	Drive in boot mode. A new firmware should be downloaded to drive.
15	● Blue ON and Red BLINKING (200 ms)	Initialization phase. Should last few seconds. While in this condition the drive is not fully operational.

! **Note:** Drive could be considered in a correct status if leds Red, Yellow and Blue are all OFF.
In general: - Led Blue indicates a software internal fault or a non-operative condition
- Led Red indicates an alarm or a drive protection
- Led Yellow indicates a warning

Service SCI connection



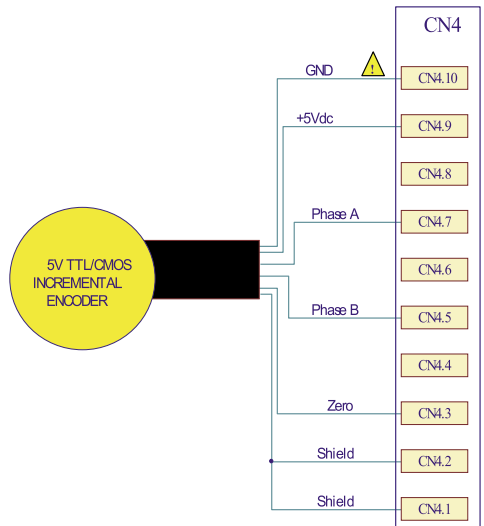
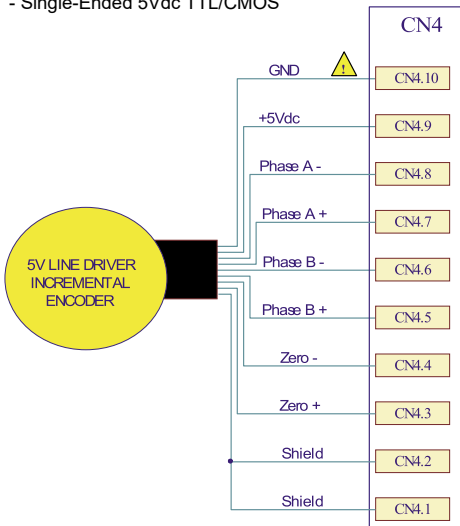
This connection is only possible with hardware and software provided by Ever.
Kit code: SW4_SERV10-SL or SW4-SERV10-EE.



Encoder input connection

Electrically NOT-isolated digital inputs:

- Differential 5Vdc that meet the RS422 standard
- Single-Ended 5Vdc TTL/CMOS



Maximum supply current 100mA.



GND is internally in common with power ground, this is potentially dangerous. Take all necessary measures to avoid possible contacts in the final installation.

Encoder output connection

Differential 5V (electrically NOT-isolated) digital outputs that meets RS422 standard.



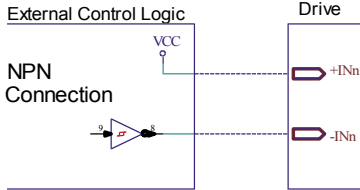
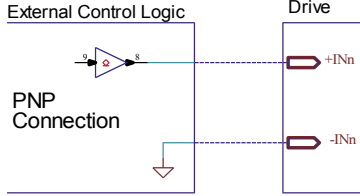
GND is internally in common with power ground, this is potentially dangerous. Take all necessary measures to avoid possible contacts in the final installation.

Digital inputs connection

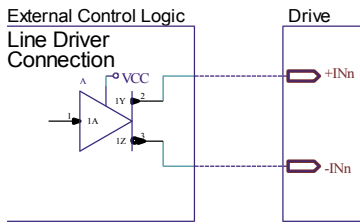


Differential PNP, NPN and Line Driver type.

3.3 - 24V INPUT



2 - 24V INPUT



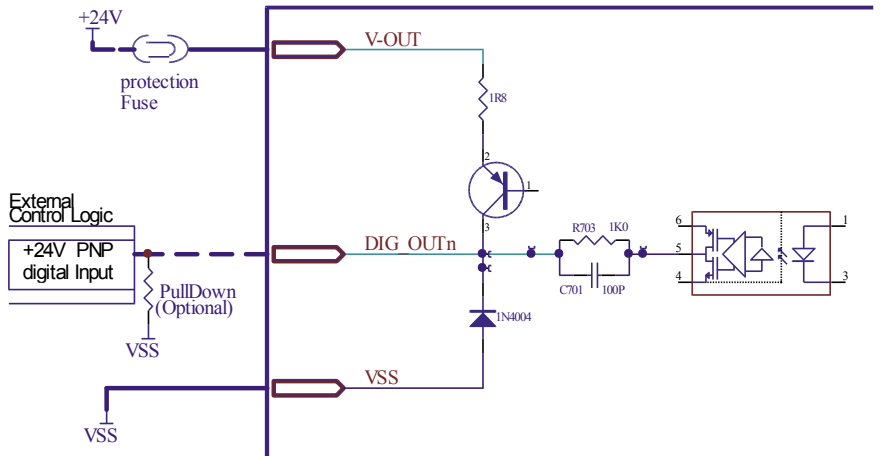
Characteristics	MIN.	MAX.	Unit
Supply voltage	2 ⁽¹⁾	24	Vdc
Inputs frequency	--	1	Mhz
Threshold switching voltage	1.61 ⁽¹⁾	--	Vdc
Current at 2 Vdc	--	2.53	mA
Current at 3.3 Vdc	--	5.84	mA
Current at 5 Vdc	--	6.28	mA
Current at 24 Vdc	--	8.75	mA

(1) N.B.: it's recommended to use 2 Vdc digital inputs only in differential Line-Driver configuration to have more noise immunity.

Digital outputs connection



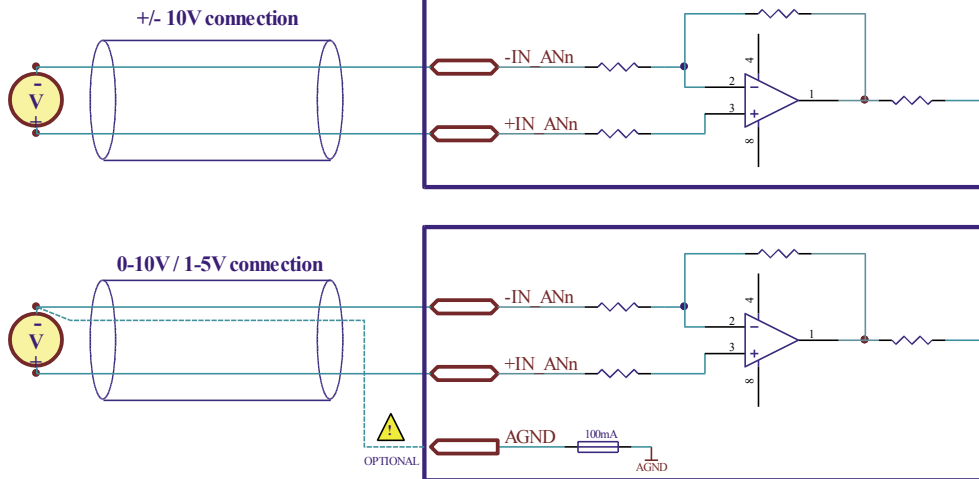
Digital outputs are PNP with $V_{OUTmax} = 24$ Vdc, $I_{OUTmax} = 100$ mA, $F_{max} = 500$ KHz.



Analog inputs connection

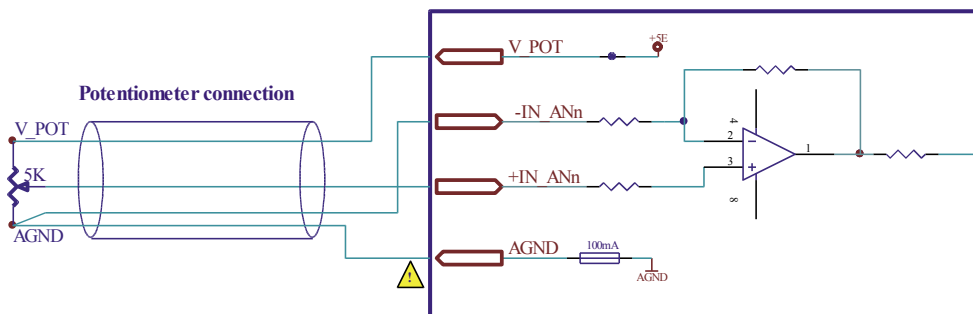
i The resolution of the analog inputs depends from the type of the connection which could be defined by software: differential or potentiometer.

DIFFERENTIAL CONNECTION



! The connection from an external reference and AGND should be preceded by a thorough risk analysis of the machine/circuit in which the drive will be installed.

POTENTIOMETER CONNECTION



! AGND is internally in common with power ground, this is potentially dangerous. Take all necessary measures to avoid possible contacts in the final installation.

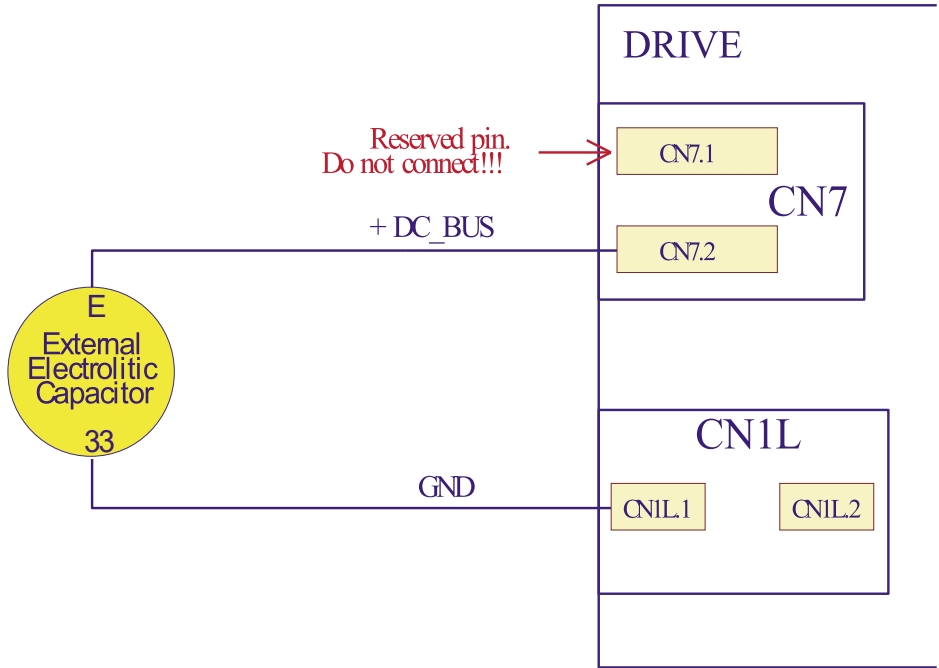
Adding an External Capacitor



**On CN7 connector (pin 2) is reported only the POSITIVE SIDE of the DC_BUS.
Pin 1 MUST BE NOT CONNECTED.**

Drive has an internal capacitor of 1000 μ F on DC_BUS.

If it necessary in the application to extend the capacitance of the drive, it will be possible to add an external capacitor following the below connection diagram:



Before making this connection shut down the drive (both power and logic).



This connection is potentially dangerous. Take all necessary measures to avoid possible contacts in the final installation.



Cables between capacitor and drive must be short as possible and have also a very low inductance.

Mating connectors

Connector	Description
CN1	Molex 39-01-2025
CN1L	Molex 39-01-2025
CN2	Molex 39-01-2045
CN3	Phoenix 1844701
CN4	Phoenix 1844604
CN5A / CN5B	RJ45, 8 positions

Section of the cables

Function	Cable	
	Minimum	Maximum
Power supply and PE	0.5 mm ² (AWG20)	1.3 mm ² (AWG16)
Motor outputs	0.5 mm ² (AWG20)	1.3 mm ² (AWG16)
Encoder input	0.14 mm ² (AWG26)	0.5 mm ² (AWG20)
Inputs and Outputs	0.14 mm ² (AWG26)	0.5 mm ² (AWG20)
Communication interfaces	0.25 mm ² (AWG23) CANbus CiA Canopen	0.25 mm ² (AWG23) CANbus CiA Canopen

Verify the installation

- Check all connection: power supply and inputs/outputs.
- Make sure all settings right for the application.
- Make sure the power supply is suitable for the drive.
- If possible, remove the load from the motor shaft to avoid that wrong movements cause damage.
- Enable the current to the motor and verify the applied torque.
- Enable a movement of some steps and verify if the rotation direction is the desired one.
- Disconnect the power supply, connect the load on the motor and check the full functionality.

Analysis of malfunctions



When any of the following situations occur, the drive is placed in a fault condition.

DEFECT	CAUSE	ACTION
Intervention of the thermal protection.	Can be caused by a heavy working cycle or a high current in the motor.	Improve the drive cooling by a natural or fan air flow. Consider to use a motor with a higher torque vs current rating.
Intervention of the current protection.	Short circuit on the motor powering stage(s) of the drive.	Check motor windings and cables to remove the short circuits replacing faulty cables or motor if necessary.
Intervention of the over/under voltage protection	Supply voltage out of range.	Check the value for the supply voltage.
Open phase motor protection.	Motor windings to drive not proper connection.	Check motor cables and connections to the drive.



When any of the following situations occur, the drive doesn't work and isn't placed in an error condition.

DEFECT	CAUSE	ACTION
Noisy motor movement with vibrations.	Can be caused by a lack of power supply to a phase of the motor or a poor regulation of the winding currents.	Check the cables and connections of the motor and/or change the motor speed to avoid a resonance region.
The external fuse on the power supply of the drive is burned.	Can be caused by a wrong connection of the power supply.	Connect the power supply correctly and replace the fuse.
At high speed, the motor torque is not enough.	Can be due to a 'self-limitation' of motor current and torque.	Increase the motor current (always within the limits), increase the supply voltage, change motor connection from series to parallel.

Ever Motion Solutions

Via del Commercio, 2/4 - 9/11
Loc. San Grato Z. I

26900 - L O D I - Italy

Phone +39 0371 412318 - Fax +39 0371 412367

email: infoever@everelettronica.it

web: www.everelettronica.it

